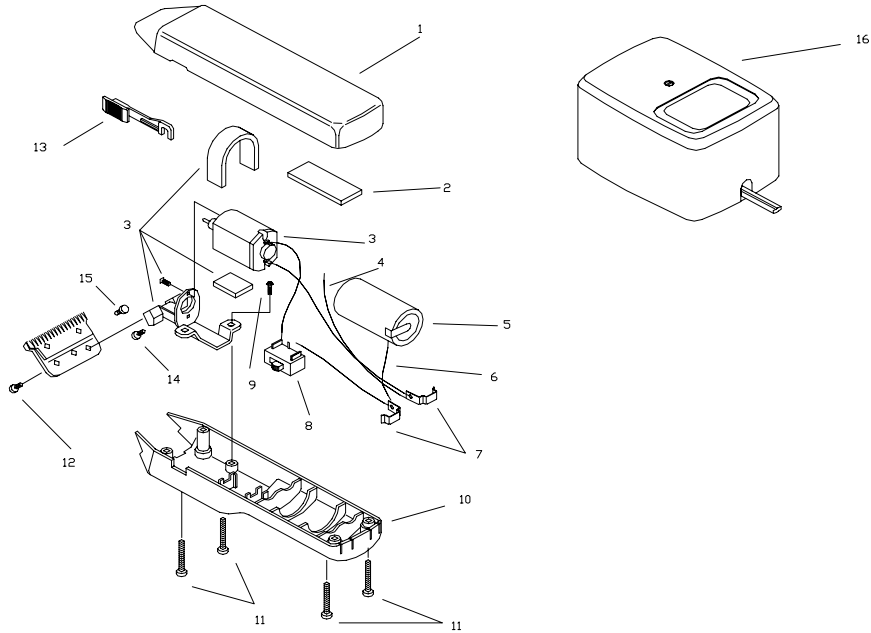




MODEL D-2 CORDLESS
TRIMMER 120 VOLT



ITEM NO.	PART NO.	DESCRIPTION	QTY. REQ'D
1		Upper Housing	
1a	32164	Upper Housing (T-Liner)	1
1b	32818	Upper Housing (Trendsetter)	1
2	17091	Battery Pad	1
3	32106	Motor Assembly	1
4	32011	Wire Lead (Red)	na
5	57834	Battery	1
6	19907	Wire Lead (Black)	na
7	58703	Charging Contact	2
8	33117	Switch	1
9	29999	Mounting Screw	1
10	32816	Lower Housing	1
11	19124	Housing Screw	4
12	29279	Blade Screw	2
13	32016	Switch Actuating Arm	1
14	04946	Machined Blade Screw	na
15	04948	Tension Adjusting Screw	na
16	S32860	Charger Assembly	1

ITEM NO.	PART NO.	DESCRIPTION	QTY. REQ'D

IMPORTANT INFORMATION
When ordering repair parts, include part number, part name and model of trimmer. For best performance, trimmer blades should be **CLEANED** and **OILED** with Andis Clipper Oil before and after use. If repair is necessary, return to any Andis Authorized Repair Service Station, or to Andis Company, 1800 Renaissance Blvd., Sturtevant, Wisconsin, 53177 U.S.A.. Pack carefully, mail either Insured Parcel Post, or U.P.S., attach a letter to outside of package explaining difficulty.