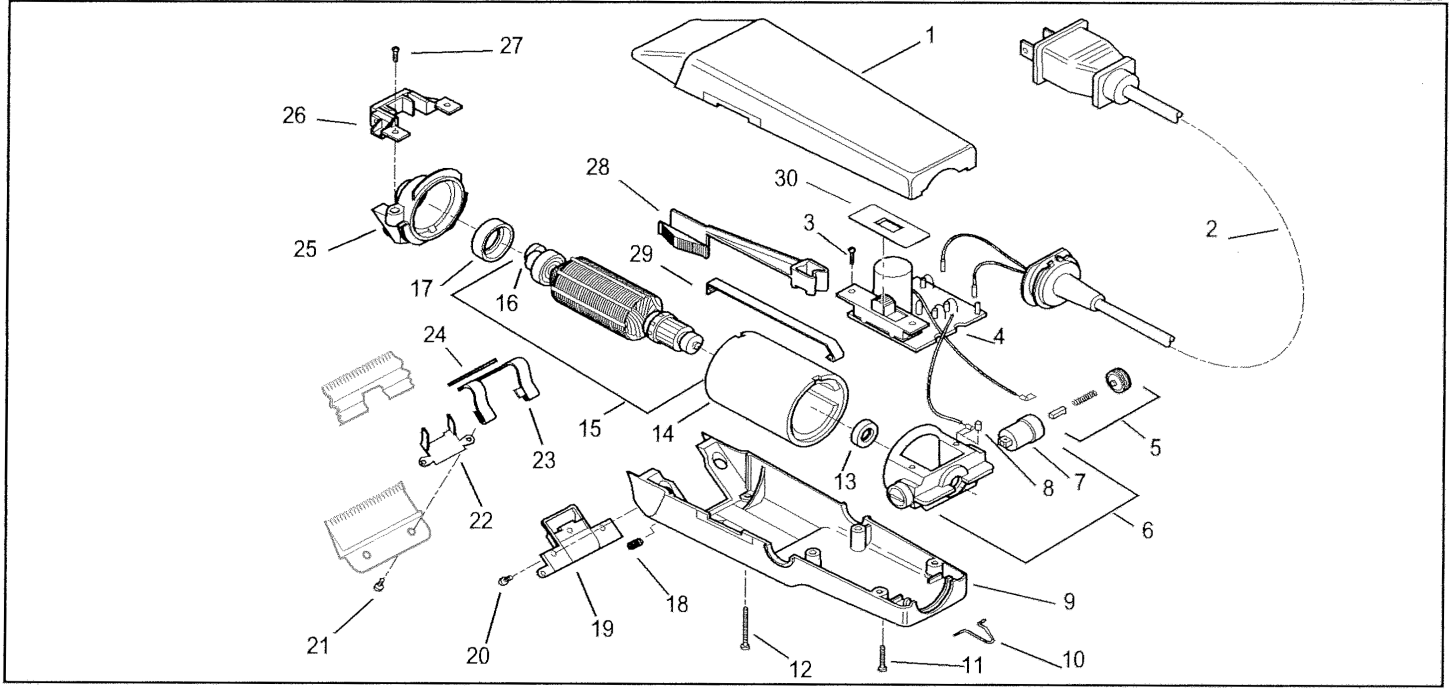




2 SPEED MODEL AG2 CLIPPER  
 SUPER 2 SPEED AG2 CLIPPER  
 2 SPEED MODEL BG2 CLIPPER  
 GOLD 2 SPEED MODEL BG2 CLIPPER  
 120 VOLT



| ITEM NO. | PART NO. | DESCRIPTION                         | QTY. REQ'D |
|----------|----------|-------------------------------------|------------|
| 1        |          | Upper Housing                       |            |
| 1a       | 27005    | AG2 Upper Housing                   | 1          |
| 1b       | 22244    | BG2 Upper Housing                   | 1          |
| 1c       | 22280    | BG2 Gold Upper Housing              | 1          |
| 1d       | 22212    | Super AG2 Upper Housing             | 1          |
| 2        |          | Cord Set                            |            |
| 2a       | 21790    | Cord Set (AG2 USA/CSA)              | 1          |
| 2b       | 21164    | Cord Set (BG2 UL/CSA)               | 1          |
| 3        | 65828    | Screw                               | 2          |
| 4        | 20024    | Speed Control - 2 speed             | 1          |
| 5        | 21812    | Brush Repair Kit                    | 1          |
| 6        | 21766    | Brush Housing (Incls items 7 and 8) | 1          |
| 7        | 21765    | Brush Holder                        | 1          |
| 8        | 21021    | Set Screw                           | 2          |
| 9        |          | Lower Housing                       |            |
| 9a       | 27263    | AG2 Lower Housing USA               | 1          |
| 9b       | 27271    | AG2 Lower Housing CSA               | 1          |
| 9c       | 22163    | BG2 Lower Housing UL                | 1          |
| 9d       | 22658    | Super AG2 Lower Housing USA         | 1          |
| 9e       | 27269    | Super AG2 Lower Housing CSA         | 1          |
| 10       | 25018    | Hanger Bail                         | 1          |
| 11       | 21050    | Rear Housing Screw                  | 2          |
| 12       | 21048    | Front Housing Screw                 | 2          |
|          |          |                                     |            |
|          |          |                                     |            |
|          |          |                                     |            |
|          |          |                                     |            |
|          |          |                                     |            |
|          |          |                                     |            |

| ITEM NO. | PART NO. | DESCRIPTION                              | QTY. REQ'D |
|----------|----------|--|------------|
| 13       | 21067    | Small Bearing Mounting Ring              | 1          |
| 14       |          | Field Assembly                           |            |
| 14a      | 27352    | Field Assembly AG2                       | 1          |
| 14b      | 22453    | Field Assembly Super AG2                 | 1          |
| 15       |          | AGE Armature assy                        |            |
| 15a      | 27072    | AG2 Armature Assy - USA (inc. item #16a) | 1          |
| 15b      | 21977    | AG2 Armature assy - CSA (inc. item #16b) | 1          |
| 16       |          | Cam and Bearing Assy                     |            |
| 16a      | 27251    | Metal Cam & Bearing Assy (AG2 USA)       | 1          |
| 16b      | 27854    | Plas. Cam/Bearing Assy (BG2 UL)          | 1          |
| 17       | 21068    | Large Bearing Mounting Ring              | 1          |
| 18       | 21014    | Blade Retaining Spring                   | 1          |
| 19       |          | Hinge Assembly                           |            |
| 19a      | S21743   | Hinge Assy (BG & Oster 76 & 89)          | 1          |
| 19b      | S27091   | Hinge Assy (BG & Oster 10, 22, 111)      | 1          |
| 19c      | S27164   | Hinge Assy (AG2 & Super AG2)             | 1          |
| 20       | 27861    | Blade Hinge Screw                        | 2          |
| 21       | 64139    | Blade Screw                              | 2          |
| 22       | 64003    | Blade Bracket                            | 1          |
| 23       | 64013    | Tension Spring                           | 1          |
| 24       | 64027    | Blade Guide                              | 1          |
| 25       | 27181    | Front Motor Frame Assy                   | 1          |
| 26       | 22319    | Blade drive Assembly                     | 1          |
| 27       | 15766    | Blade Drive Screw                        | 2          |
| 28       | 21452    | Switch Actuating Arm                     | 1          |
| 29       | 27198    | Motor Frame Retaining Clip               | 2          |
| 30       | 21063    | Insulator                                | 1          |
|          |          |  |            |
|          |          |  |            |
|          |          |  |            |
|          |          |  |            |
|          |          |  |            |

**IMPORTANT INFORMATION**

When ordering repair parts, include part number, part name and model of trimmer. For best performance, trimmer blades should be CLEANED and OILED with Andis Clipper Oil before and after use. If repair is necessary, return to any Andis Authorized Repair Service Station, or to Andis Company, 1800 Renaissance Blvd., Sturtevant, Wisconsin, 53177 U.S.A.. Pack carefully, mail either Insured Parcel Post, or U.P.S. , attach a letter to outside of package explaining difficulty.