

A-2

MODELS THAT ARE INACTIVE ARE NOT INCLUDED ON FICHE CURRENTLY PUBLISHED. THESE PARTS LISTS CAN BE OBTAINED BY CONTACTING OSTER - TECHNICAL SERVICE DEPT. PLEASE GIVE SERVICE NO. & PAGE NO.

SERVICE NO.	FRAME	PAGE NO.
202-C	E-11	1
CRW	E-13	18
E	F-1	10
ERW	F-3	20
F	F-5	22
204 Dog Dryer.	G-1	6
208-C	E-11	1
CRW	E-13	18
209 Dog Dryer.	G-3	8
269-01-A Dog Dryer.	G-5	3
01-E Dog Dryer.	G-5	3
279-01-A Dog Dryer.	G-9	16
301-A	F-7	12
ARW	F-11	24
302-A	F-7	12
AX	F-7	12
303-01-A	F-9	14
304-01-A	G-7	28
309-01-A	G-11	26
01-B	G-11	26

FOR HI-POT AND LEAKAGE TESTS
FOR SERVICE - SEE
FRAME G-14

USE ONLY SPECIFIED GENUINE OSTER PARTS - USE OF OTHER SUBSTITUTES MAY BE HAZARDOUS.



PARTS LIST

AIRJET HAIR DRYER



**USE ONLY GENUINE OSTER PARTS -
USE OF WRONG PARTS MAY BE HAZARDOUS.**

PUBLISHED BY TECHNICAL SERVICES

NEW MODEL(S) ADDED → FIRST ISSUE 3/75, COLUMN #1

BB-352 REVISED 10/97

PART NO. REVISION

120 VOLTS, 440 WATTS, AC OR DC	X	X																	
MODEL OR SERVICE NO. COLUMN →	1	2	3	4	5	6	7	8	9	10	11	12							

SEE PRICE & CROSS REF.
LIST FOR PRICES

SERVICE NOTES	COL. NO.
M-6008	1 & 2

BASIC PARTS

202-C

208-C

**CONTAINS
NO ASBESTOS**

INDEX NO.	PART NO.	★ WAS PART NO.	DESCRIPTION	QUANTITY	202-C	208-C	3	4	5	6	7	8	9	10	11	12	
1	6223		HOUSING	1													
2	6025		FELT WASHER	2													
4	6410		FIBER WASHER - FOR ARMATURE	1													
5	6176		STEEL WASHER - FOR ARMATURE	1													
6	6156		ARMATURE ASSEMBLY	1													
7	6152		FIELD ASSEMBLY	1													
8	42437	6030	BRUSH CLIP	2													
9	46727	201945	BRUSH & SPRING ASSEMBLY	1PR													
10	17365		REAR FRAME - LESS BEARINGS	1													
11	2118		LOCKWASHER	8													
12	42106-010	4666-010	SCREW - FOR MOTOR	2													
13	61846		FAN ASSEMBLY	1													
14	7082		SCREW - FOR HANDLE BRACKET	1													
15	6174		MOTOR HOUSING	1													
16	41698	1647	BEARING	2													
17	41717	1952	BEARING RETAINER	2													
18	6409		FELT WASHER	2													
★ 19	350		SCREW	4													
20	61917		RUBBER FOOT	1	4												
21	6004		BRUSH TUBE SUPPORT ASSEMBLY	1													
22	208704		HEATER ASSY. W/FUSE & THERMOSTAT	1													
23	71966		NAMEPLATE	1	1												
24	6204		SCREW	7													
25	71947		HOUSING - FRONT	1													
27	70554		ESCUTCHEON	1													
28	71749		HOOD HOLDER	1													
29	19453		SWITCH ASSEMBLY	1													
30	6236		SCREW - FOR HANDLE PIVOT	2													
31	6173		LOCKWASHER - FOR HANDLE PIVOT	1													
32	18766		HANDLE - STAND - INCLUDES #20	1													
33	6171		PIVOT - FOR HANDLE	1													
34	17683		WASHER - FOR HANDLE PIVOT	2		2											
35	60976		WIRE STAND	1		1											
36	208706		THERMO-FUSE - <u>CAUTION: THIS THERMOFUSE TO BE USED ONLY WITH HEATER INDEX #22 AND THERMOSTAT INDEX #58. (SEE SERVICE BULLETIN SSA-264)</u>	1													
37	1107		CORD & PLUG ASSEMBLY	1													
38	2291		CORD CLAMP	1													
39	62025		SCREW - FOR HANDLE BRACKET	2													
40	6236		SCREW	2		2											
41	44		KNURLED NUT	2													
43	17473		BRACKET - FOR HANDLE	2													
46	17457		WASHER - FOR HANDLE PIVOT	4													
47	60719		PIVOT BUSHING	1		1											
58	208740		THERMOSTAT	1													

★ PARTS ARE INTERCHANGEABLE, USE UP EXISTING STOCK.

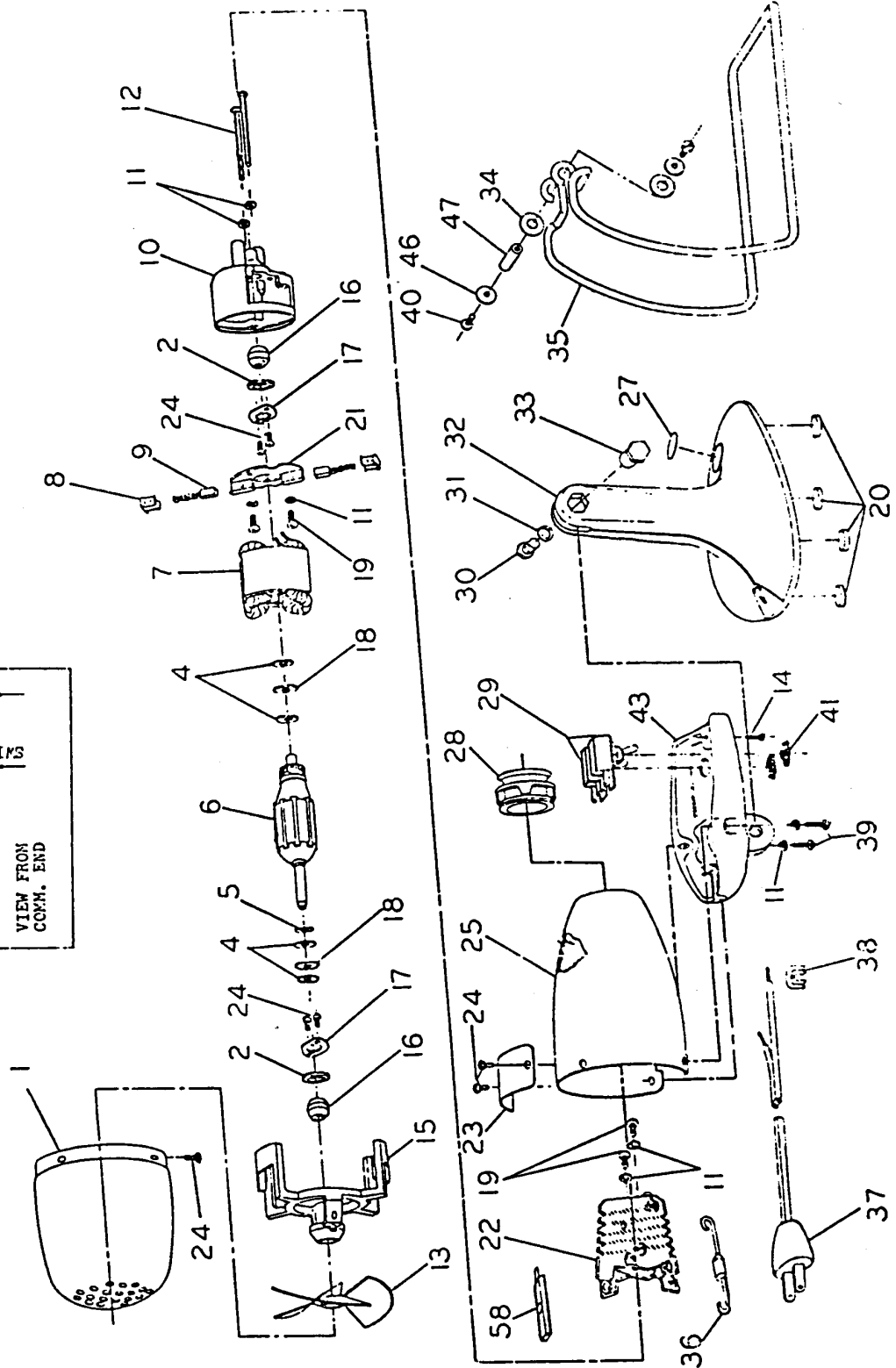
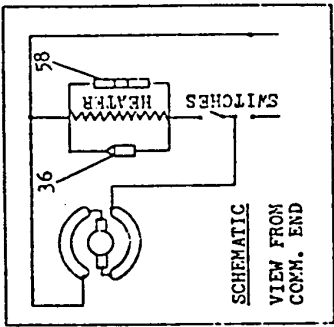
MANUAL: PROFESSIONAL PRODUCTS
SECTION: HAIR DRYERS

CONTINUED ON REVERSE SIDE



150 CADILLAC LANE
McMINNVILLE, TN 37110

CAUTION: NUMBERS SHOWN ON DRAWING ARE INDEX NUMBERS ONLY. ORDER PARTS BY CORRECT PART NUMBER.





PARTS LIST

STYLER DRYER



**USE ONLY GENUINE OSTER PARTS -
USE OF WRONG PARTS MAY BE HAZARDOUS.**

PUBLISHED BY TECHNICAL SERVICES

NEW MODEL(S) ADDED ⇨ FIRST ISSUE 2/69, COLUMN #1

BB-178 REVISED 10/97

PART NO. REVISION

120 VOLTS, 440 WATTS, AC OR DC	X																		
CHROME & BLACK	X																		
AIRJET	X																		
MODEL OR SERVICE NO. COLUMN →	1	2	3	4	5	6	7	8	9	10	11	12							

SEE PRICE & CROSS REF.
LIST FOR PRICES

SERVICE NOTES	COL. NO.
M-6008/M-6009	1

BASIC PARTS

202-E

**CONTAINS
NO ASBESTOS**

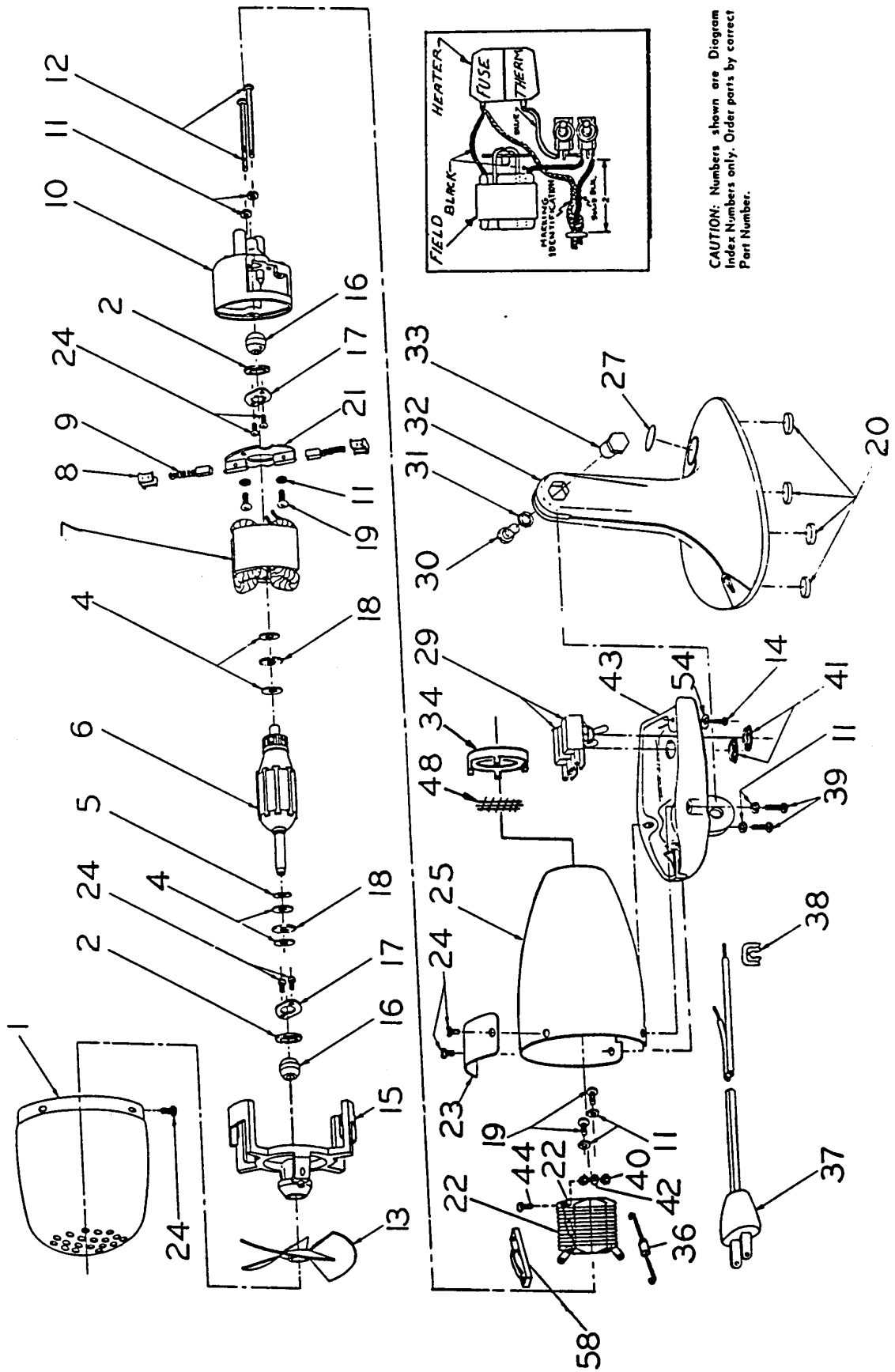
INDEX NO.	PART NO.	★ WAS PART NO.	DESCRIPTION	QUANTITY	1	2	3	4	5	6	7	8	9	10	11	12
1	6223		HOUSING	1												
2	6025		FELT WASHER	2												
4	6410		FIBER WASHER - FOR ARMATURE	4												
5	6176		STEEL WASHER - FOR ARMATURE	1												
6	6156		ARMATURE ASSEMBLY	1												
7	6152		FIELD ASSEMBLY	1												
8	42437	6030	BRUSH CLIP	2												
9	46727	201945	BRUSH & SPRING ASSEMBLY	1PR												
10	17365		REAR FRAME - LESS BEARINGS	1												
11	2118		LOCKWASHER	6												
12	42106-010	4666-010	SCREW - FOR MOTOR	2												
13	61846		FAN ASSEMBLY	1												
14	7082		SCREW - FOR HANDLE BRACKET	1												
15	6174		MOTOR HOUSING	1												
16	41698	1647	BEARING	2												
17	41717	1952	BEARING RETAINER	2												
18	6409		FELT WASHER	2												
19	350		SCREW	4												
20	61917		RUBBER FOOT	4												
21	6004		BRUSH TUBE SUPPORT ASSEMBLY	1												
22	55274	204817	HEATER ASSY. W/FUSE & THERMOSTAT	1												
23	200451		NAMEPLATE	1												
24	6204		SCREW	7												
25	71947		HOUSING - FRONT	1												
27	70554		ESCUTCHEON	1												
29	19453		SWITCH ASSEMBLY	2												
30	6236		SCREW - FOR HANDLE PIVOT	1												
31	6173		LOCKWASHER - FOR HANDLE PIVOT	1												
32	18786		HANDLE - STAND - INCLUDES #20	1												
33	6171		PIVOT - FOR HANDLE	1												
34	69173		NOZZLE MOUNT - BLACK	1												
36	204847	208706	THERMO-FUSE - <i>CAUTION: THIS THERMOFUSE TO BE USED ONLY WITH HEATER INDEX #22 AND THERMOSTAT INDEX #58. (SEE SERVICE BULLETIN SSA-264)</i>	1												
37	1107		CORD & PLUG ASSEMBLY	1												
38	2291		CORD CLAMP	1												
39	62025		SCREW - FOR HANDLE BRACKET	2												
40	2677		NUT - BRASS	5												
41	44		KNURLED NUT	2												
42	2398		WASHER - BRASS	5												
43	17473		BRACKET - FOR HANDLE	1												
44	1308		SCREW - #3 - 48 X 5/16 - BRASS	3												
48	66174		SCREEN - FOR NOZZLE	1												
54	66274		WASHER	1												
58	204844	208740	THERMOSTAT	1												

★ PARTS ARE INTERCHANGEABLE, USE UP EXISTING STOCK.

MANUAL: PROFESSIONAL PRODUCTS
SECTION: HAIR DRYERS

CONTINUED ON REVERSE SIDE







PARTS LIST

AIRJET HAIR DRYER



**USE ONLY GENUINE OSTER PARTS -
USE OF WRONG PARTS MAY BE HAZARDOUS.**

PUBLISHED BY TECHNICAL SERVICES

NEW MODEL(S) ADDED ⇒ FIRST ISSUE 7/77, COLUMN #1 & #2

BB-440 REVISED 10/97

PART NO. REVISION

120 VOLTS, 440 WATTS, AC OR DC	X	X													
MODEL OR SERVICE NO. COLUMN →	1	2	3	4	5	6	7	8	9	10	11	12			
SEE PRICE & CROSS REF. LIST FOR PRICES	<p align="center">CONTAINS NO ASBESTOS</p>														
SERVICE NOTES COL. NO. M-6008/M-6009 1 & 2															

INDEX NO.	PART NO.	★ WAS PART NO.	DESCRIPTION	BASIC PARTS	202-CRW	208-CRW	QUANTITY REQUIRED														
1	6223		HOUSING	1																	
2	6025		FELT WASHER	2																	
4	6410		FIBER WASHER - FOR ARMATURE	4																	
5	6176		STEEL WASHER - FOR ARMATURE	1																	
6	6156		ARMATURE ASSEMBLY	1																	
7	6152		FIELD ASSEMBLY	1																	
8	42437	6030	BRUSH CLIP	2																	
9	46727	201945	BRUSH & SPRING ASSEMBLY	1PR																	
10	17365		REAR FRAME - LESS BEARINGS	1																	
11	2118		LOCKWASHER	8																	
12	42106-010	4666-010	SCREW - FOR MOTOR	2																	
13	61846		FAN ASSEMBLY	1																	
14	7082		SCREW - FOR HANDLE BRACKET	1																	
15	6174		MOTOR HOUSING	1																	
16	41698	1647	BEARING	2																	
17	41717	1952	BEARING RETAINER	2																	
18	6409		FELT WASHER	2																	
19	350		SCREW	4																	
20	61917		RUBBER FOOT	1	4																
21	6004		BRUSH TUBE SUPPORT ASSEMBLY	1																	
22	55274	208704	HEATER ASSY. W/FUSE & THERMOSTAT	1																	
23	71966		NAMEPLATE	1	1																
24	6204		SCREW	7																	
25	4481-010		HOUSING - FRONT	1																	
27	70554		ESCUTCHEON	1																	
28	71748		HOOD HOLDER	1																	
29	19453		SWITCH ASSEMBLY	1																	
30	6236		SCREW - FOR HANDLE PIVOT	2																	
31	6173		LOCKWASHER - FOR HANDLE PIVOT	1																	
32	18766		HANDLE - STAND - INCLUDES #20	1																	
33	6171		PIVOT - FOR HANDLE	1																	
34	17683		WASHER - FOR HANDLE PIVOT	2		2															
35	60976		WIRE STAND	1		1															
36	208706		THERMO-FUSE	1	1																
37	1107		CORD & PLUG ASSEMBLY	1																	
38	2291		CORD CLAMP	1																	
39	62025		SCREW - FOR HANDLE BRACKET	2																	
40	6236		SCREW	2																	
41	44		KNURLED NUT	2		2															
43	17473		BRACKET - FOR HANDLE	2																	
46	17457		WASHER - FOR HANDLE PIVOT	4																	
47	60719		PIVOT BUSHING	1		1															
58	208740		THERMOSTAT	1																	

★ PARTS ARE INTERCHANGEABLE, USE UP EXISTING STOCK.

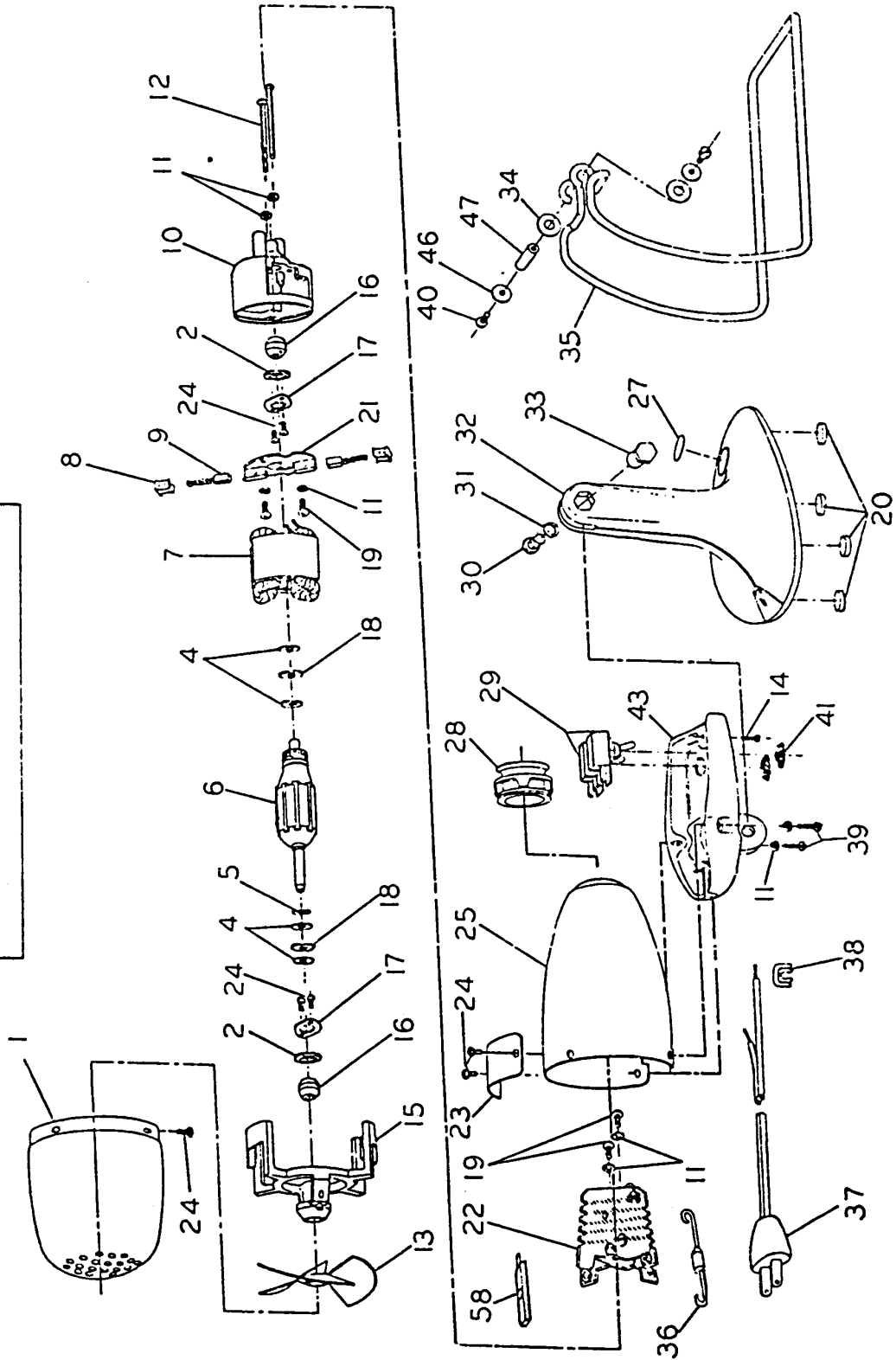
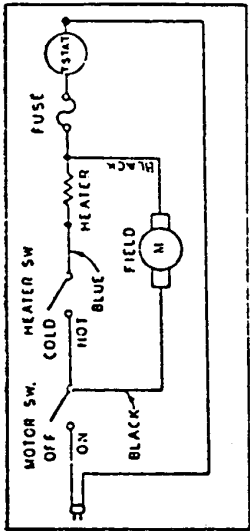
MANUAL: PROFESSIONAL PRODUCTS
SECTION: HAIR DRYERS

CONTINUED ON REVERSE SIDE
PAGE 18



150 CADILLAC LANE
McMINNVILLE, TN 37110

CAUTION: NUMBERS SHOWN ON DRAWING
 ARE INDEX NUMBERS ONLY. ORDER
 PARTS BY CORRECT PART NUMBER.





PARTS LIST

AIRJET



**USE ONLY GENUINE OSTER PARTS -
USE OF WRONG PARTS MAY BE HAZARDOUS.**

PUBLISHED BY TECHNICAL SERVICES

NEW MODEL(S) ADDED ⇨ FIRST ISSUE 7/77, COLUMN #1

BB-441 REVISED 10/97

PART NO. REVISION

120 VOLTS, 440 WATTS, AC OR DC	X																		
CHROME & BLACK	X																		
AIRJET	X																		
MODEL OR SERVICE NO. COLUMN →	1	2	3	4	5	6	7	8	9	10	11	12							

SEE PRICE & CROSS REF.
LIST FOR PRICES

SERVICE NOTES	COL. NO.
M-6008/M-6009	1

BASIC PARTS

202-ERW

**CONTAINS
NO ASBESTOS**

INDEX NO.	PART NO.	★ WAS PART NO.	DESCRIPTION	QUANTITY	QUANTITY REQUIRED														
					1	2	3	4	5	6	7	8	9	10	11	12			
1	6223		HOUSING	1															
2	6025		FELT WASHER	2															
4	6410		FIBER WASHER - FOR ARMATURE	4															
5	6176		STEEL WASHER - FOR ARMATURE	1															
6	6156		ARMATURE ASSEMBLY	1															
7	6152		FIELD ASSEMBLY	1															
8	42437	6030	BRUSH CLIP	2															
9	46727	201945	BRUSH & SPRING ASSEMBLY	1PR															
10	17365		REAR FRAME - LESS BEARINGS	1															
11	2118		LOCKWASHER	6															
12	42106-010	4666-010	SCREW - FOR MOTOR	2															
13	61846		FAN ASSEMBLY	1															
14	7082		SCREW - FOR HANDLE BRACKET	1															
15	6174		MOTOR HOUSING	1															
16	41698	1647	BEARING	2															
17	41717	1952	BEARING RETAINER	2															
18	6409		FELT WASHER	2															
19	350		SCREW	4															
20	61917		RUBBER FOOT	4															
21	6004		BRUSH TUBE SUPPORT ASSEMBLY	1															
22	55274	208704	HEATER ASSY. W/FUSE & THERMOSTAT	1															
23	200451	207600	NAMEPLATE	1															
24	6204		SCREW	7															
25	4481-010	4481-030	HOUSING - FRONT	1															
27	70554		ESCUTCHEON	1															
29	19453		SWITCH ASSEMBLY	2															
30	6236		SCREW - FOR HANDLE PIVOT	1															
31	6173		LOCKWASHER - FOR HANDLE PIVOT	1															
32	18786		HANDLE - STAND - INCLUDES #20	1															
33	6171		PIVOT - FOR HANDLE	1															
36	208706		THERMO-FUSE - CAUTION: THIS THERMOFUSE TO BE USED ONLY WITH HEATER INDEX #22 AND THERMOSTAT INDEX #58. (SEE SERVICE BULLETIN SSA-264)	1															
37	1107		CORD & PLUG ASSEMBLY	1															
38	2291		CORD CLAMP	1															
39	62025		SCREW - FOR HANDLE BRACKET	2															
40	2677		NUT - BRASS	5															
41	44		KNURLED NUT	2															
42	2398		WASHER - BRASS	5															
43	17473		BRACKET - FOR HANDLE	1															
44	1308		SCREW - #3 - 48 X 5/16 - BRASS	3															
54	66274		WASHER	1															
58	208740		THERMOSTAT	1															
60	204151		INSULATOR LINING	1															

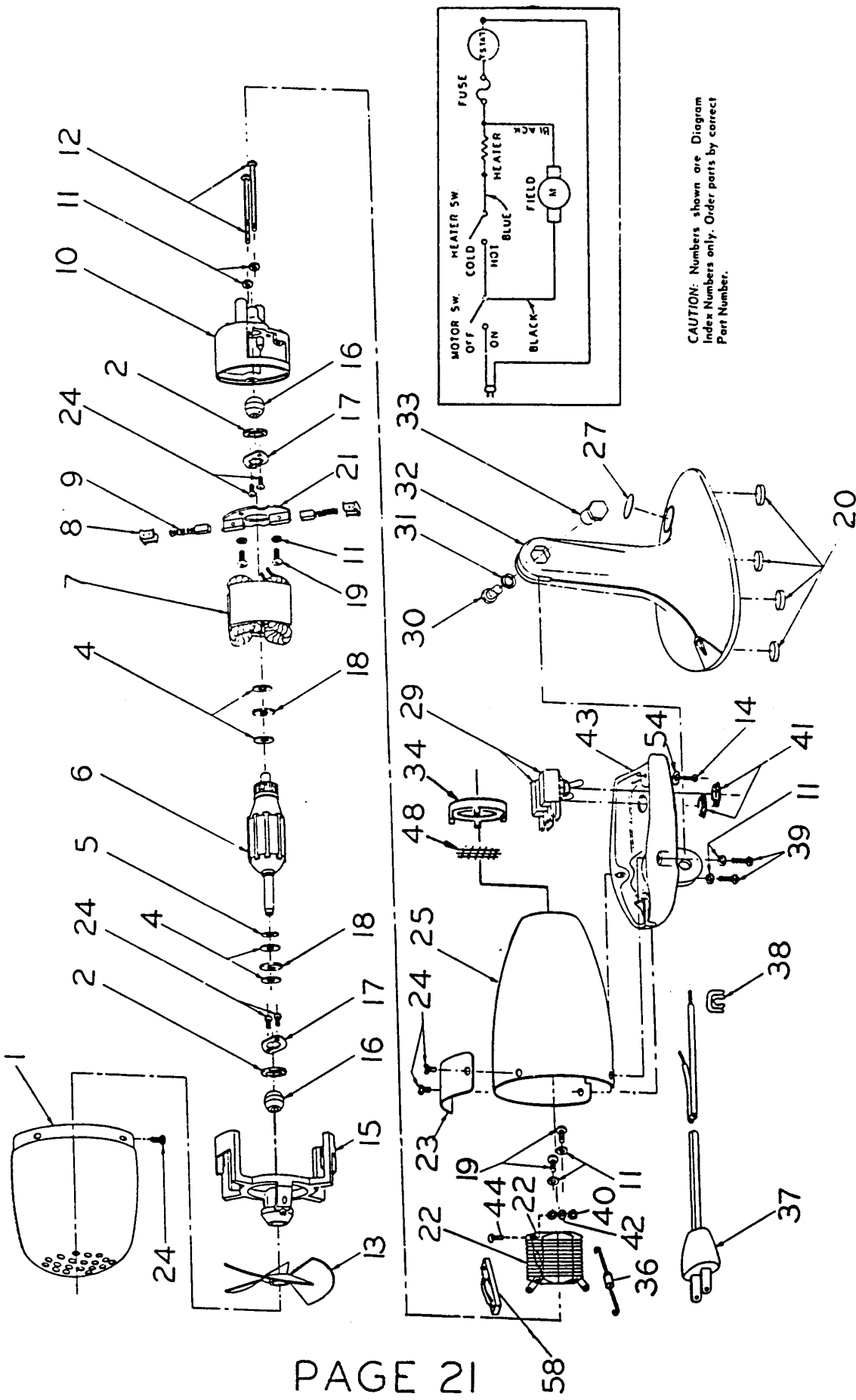
★ PARTS ARE INTERCHANGEABLE, USE UP EXISTING STOCK.

MANUAL: PROFESSIONAL PRODUCTS
SECTION: HAIR DRYERS

CONTINUED ON REVERSE SIDE



150 CADILLAC LANE
McMINNVILLE, TN 37110



CAUTION: Numbers shown are Diagram Index Numbers only. Order parts by correct Part Number.



PARTS LIST

AIRJET



**USE ONLY GENUINE OSTER PARTS -
USE OF WRONG PARTS MAY BE HAZARDOUS.**

PUBLISHED BY TECHNICAL SERVICES

NEW MODEL(S) ADDED ⇨ FIRST ISSUE 7/77, COLUMN #1

BB-442 REVISED 10/97

PART NO. REVISION

120 VOLTS, 440 WATTS, AC OR DC	X														
CHROME & BLACK	X														
AIRJET	X														
MODEL OR SERVICE NO. COLUMN →	1	2	3	4	5	6	7	8	9	10	11	12			

SEE PRICE & CROSS REF.
LIST FOR PRICES

SERVICE NOTES	COL. NO.
M-6008/M-6009	1

BASIC PARTS

202-F

**CONTAINS
NO ASBESTOS**

INDEX NO.	PART NO.	★ WAS PART NO.	DESCRIPTION	QUANTITY	1	2	3	4	5	6	7	8	9	10	11	12
1	6223		HOUSING	1												
2	6025		FELT WASHER	2												
4	6410		FIBER WASHER - FOR ARMATURE	4												
5	6176		STEEL WASHER - FOR ARMATURE	1												
6	6156		ARMATURE ASSEMBLY	1												
7	6152		FIELD ASSEMBLY	1												
8	42437	6030	BRUSH CLIP	2												
9	46727	201945	BRUSH & SPRING ASSEMBLY	1PR												
10	17365		REAR FRAME - LESS BEARINGS	1												
11	2118		LOCKWASHER	6												
12	42106-010	4666-010	SCREW - FOR MOTOR	2												
13	61846		FAN ASSEMBLY	1												
14	7082		SCREW - FOR HANDLE BRACKET	1												
15	6174		MOTOR HOUSING	1												
16	41698	1647	BEARING	2												
17	41717	1952	BEARING RETAINER	2												
18	6409		FELT WASHER	2												
19	350		SCREW	4												
20	61917		RUBBER FOOT	4												
21	6004		BRUSH TUBE SUPPORT ASSEMBLY	1												
22	55274	208704	HEATER ASSY. W/FUSE & THERMOSTAT	1												
23	207600		NAMEPLATE	1												
24	6204		SCREW	7												
25	4481-030		HOUSING - FRONT	1												
27	70554		ESCUTCHEON	1												
29	19453		SWITCH ASSEMBLY	2												
30	6236		SCREW - FOR HANDLE PIVOT	1												
31	6173		LOCKWASHER - FOR HANDLE PIVOT	1												
32	18786		HANDLE - STAND - INCLUDES #20	1												
33	6171		PIVOT - FOR HANDLE	1												
36	208706		THERMO-FUSE - <u>CAUTION: THIS THERMOFUSE TO BE USED ONLY WITH HEATER INDEX #22 AND THERMOSTAT INDEX #58. (SEE SERVICE BULLETIN SSA-264)</u>	1												
37	1107		CORD & PLUG ASSEMBLY	1												
38	2291		CORD CLAMP	1												
39	62025		SCREW - FOR HANDLE BRACKET	2												
40	2677		NUT - BRASS	6												
41	44		KNURLED NUT	2												
42	2398		WASHER - BRASS	7												
43	17473		BRACKET - FOR HANDLE	1												
44	1308		SCREW - #3 - 48 X 5/16 - BRASS	1												
54	66274		WASHER	1												
58	208740		THERMOSTAT	1												
60	204151		INSULATOR LINING	1												

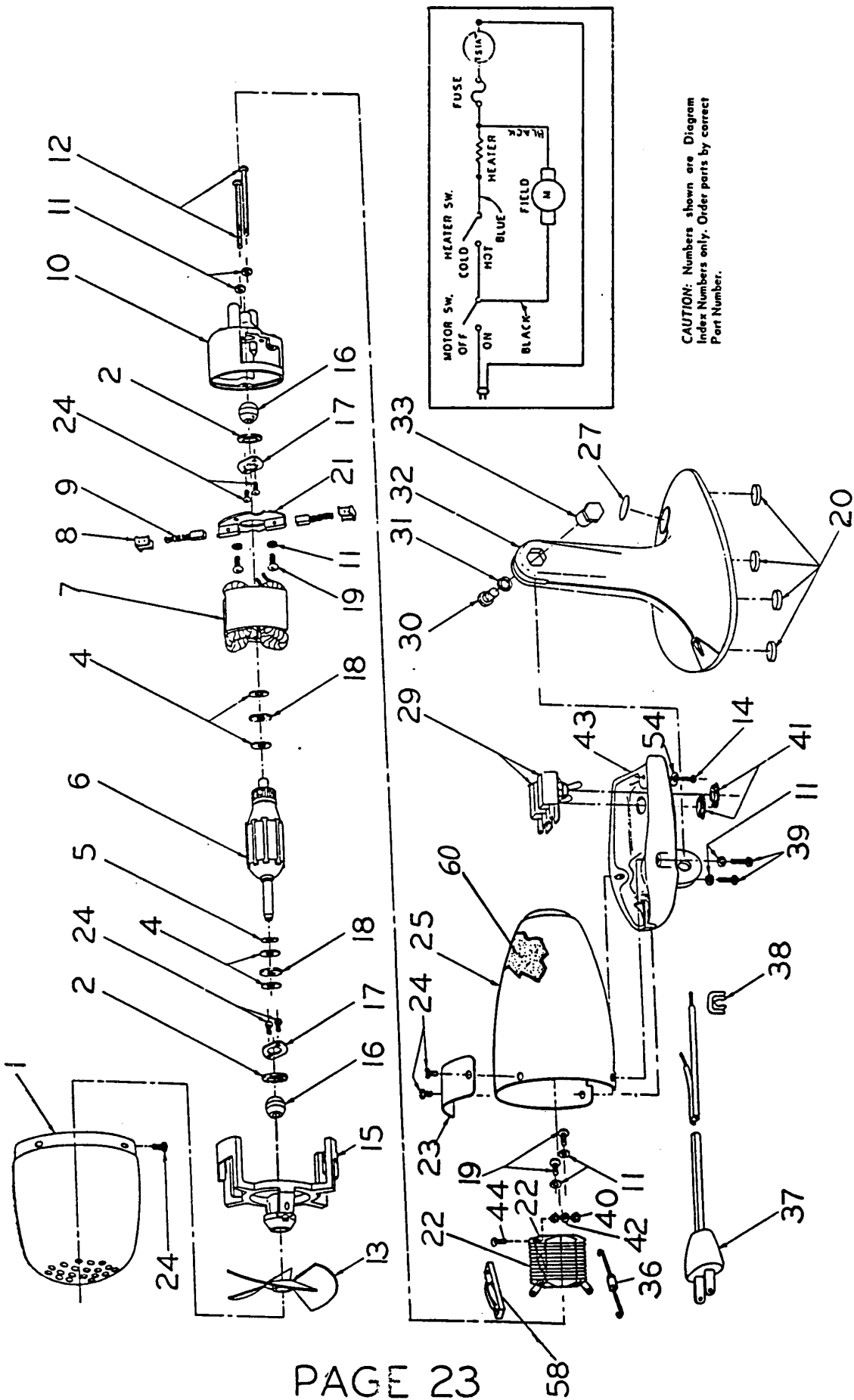
★ PARTS ARE INTERCHANGEABLE, USE UP EXISTING STOCK.

MANUAL: PROFESSIONAL PRODUCTS
SECTION: HAIR DRYERS

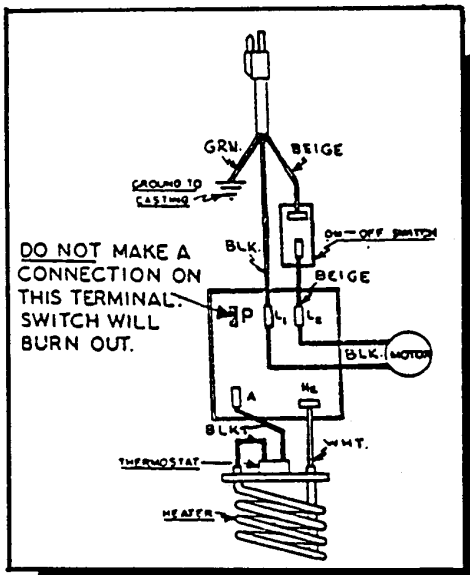
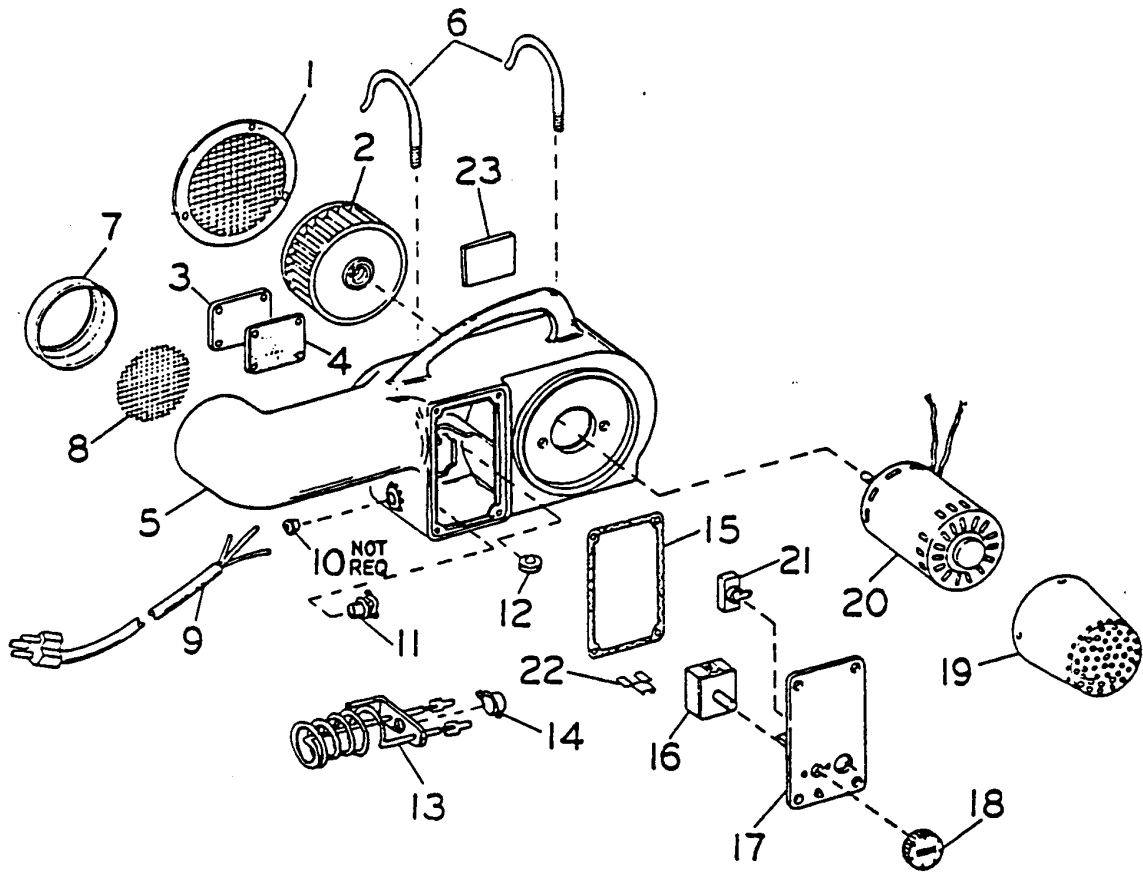
CONTINUED ON REVERSE SIDE



150 CADILLAC LANE
McMINNVILLE, TN 37110



CAUTION: Numbers shown are Diagram Index Numbers only. Order parts by correct Part Number.



CAUTION: Numbers shown are Diagram Index Numbers only. Order parts by correct Part Number from the Parts List.



PARTS LIST

DOG DRYER

**USE ONLY GENUINE OSTER PARTS -
USE OF WRONG PARTS MAY BE HAZARDOUS.**

PUBLISHED BY TECHNICAL SERVICES

NEW MODEL(S) ADDED ⇨ FIRST ISSUE ____, COLUMN #1

BB-238 REVISED 10/97

PART NO. REVISION

120 VOLTS, 14.3 AMPS, 60 HZ

MODEL OR SERVICE NO. COLUMN → 1 2 3 4 5 6 7 8 9 10 11 12

G-3

**SEE PRICE & CROSS REF.
LIST FOR PRICES**

INDEX NO.	PART NO.	★ WAS PART NO.	DESCRIPTION	BASIC PARTS ↓ 209	QUANTITY REQUIRED													
					1	2	3	4	5	6	7	8	9	10	11	12		
1	209116		FAN SCREEN	1														
2	55143	206566	FAN	1														
3	209111		COVER PLATE - STEEL	1														
4	209114		SMALL GASKET	1														
5	209125		CAST HOUSING	1														
9	206562		LINECORD	1														
10	NOT REQUIRED		BUSHING	1														
11	206571		STRAIN RELIEF	1														
12	209110		GROMMET	1														
13	206572		HEATING ELEMENT	1														
14	55142	206565	THERMAL SWITCH	1														
15	209115		LARGE GASKET	1														
16	55140	206563	TEMPERATURE SWITCH	1														
17	209109		CASTING DOOR	1														
18	209112		SWITCH KNOB	1														
19	206567		MOTOR COVER	1														
20	55141	206564	MOTOR ASSEMBLY	1														
21	55138	206561	TOGGLE SWITCH	1														
22	209128		TERMINAL - DOUBLE FLAG	2														
23	209129		NAMEPLATE	1														
24	206560		RUBBER NOZZLE	1														
25	55289	209135	TUBE W/SWIVEL-ALUMINUM	1														
26	55287	209126	YOKE	1														
27	209130		KNOB LABEL	1														
28	209122		KNOB	1														
36	206559		TUBE CAPS (SET OF 4)	-														
37	206570		LEGS (SET OF 4)	-														
38	206569		INSERTS (SET OF 4)	-														
39	206568		CASTERS (SET OF 4)	-														
* 40	DO NOT USE		ASBESTOS LINER	-														
41	209136		TUBE ASSEMBLY	1														

*** NOTE:**
1. AN ASBESTOS LINER IS INSIDE TUBE INDEX #25 ON SOME MODELS.
A VISUAL EXAMINATION IS REQUIRED.
2. REMOVE RUBBER NOZZLE, REMOVE ASBESTOS LINER IF PRESENT, AND RE-ATTACH NOZZLE,
NO LINER REPLACEMENT IS REQUIRED.

BUY ALL PARTS FROM RAPID BEAUTY EQUIPMENT EXCEPT IN AN EMERGENCY, THEIR ADDRESS IS:

RAPID BEAUTY EQUIPMENT
250A LACKAWANNA AVE.
WEST PATERSON, NJ 07424
PHONE: 1-800-822-6628

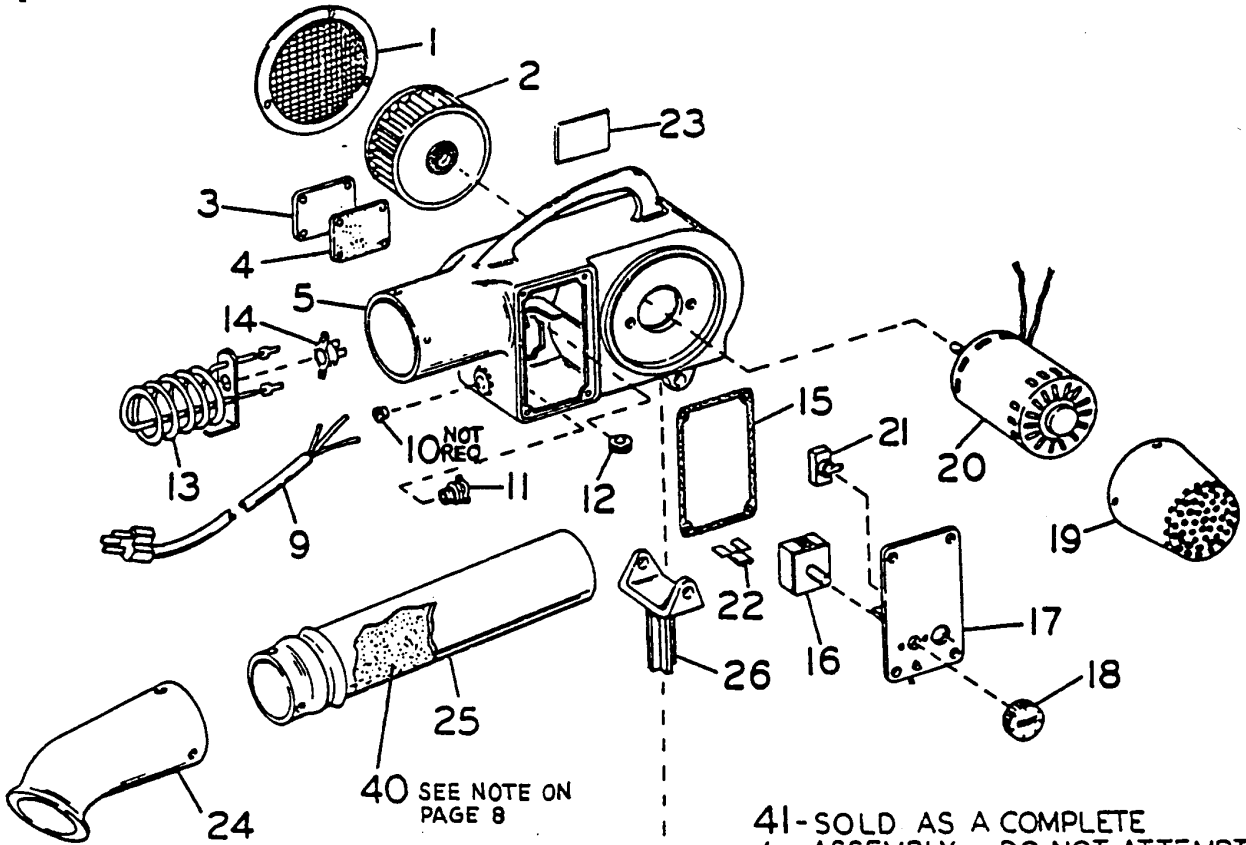
OSTER MAY STOCK SOME PARTS FOR EMERGENCY ORDERS ONLY.

★ PARTS ARE INTERCHANGEABLE, USE UP EXISTING STOCK.

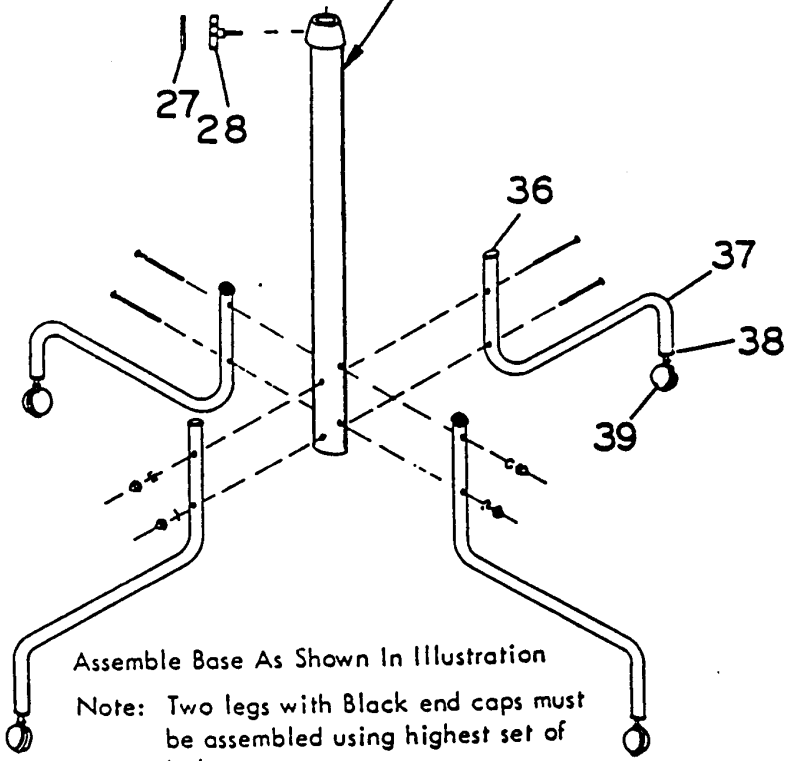
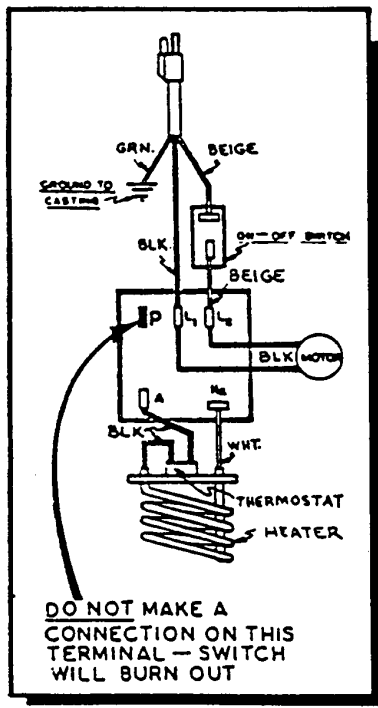
MANUAL: PROFESSIONAL PRODUCTS

CONTINUED ON REVERSE SIDE

SECTION: HAIR DRYERS



41 - SOLD AS A COMPLETE ASSEMBLY - DO NOT ATTEMPT TO SERVICE.

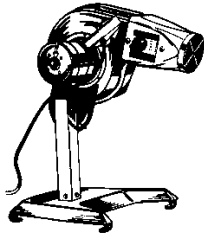


Assemble Base As Shown In Illustration
 Note: Two legs with Black end caps must be assembled using highest set of holes on post.



PARTS LIST

TABLE & CAGE DRYER



**USE ONLY GENUINE OSTER PARTS -
USE OF WRONG PARTS MAY BE HAZARDOUS.**

PUBLISHED BY TECHNICAL SERVICES

NEW MODEL(S) ADDED →	FIRST ISSUE 6/76, COLUMN #1	BB-389	REVISED 10/97
	FIRST ISSUE 6/79, COLUMN #2	PART NO. REVISION	

120 VOLTS, 1200 WATTS, 60 HZ	X	X																
MODEL OR SERVICE NO. COLUMN →	1	2	3	4	5	6	7	8	9	10	11	12						

SEE PRICE & CROSS REF.
LIST FOR PRICES

SERVICE NOTES	COL. NO.
M-6092	1

INSTRUCTIONS	COL. NO.
207002	1

**CONTAINS
NO ASBESTOS**

INDEX NO.	PART NO.	★ WAS PART NO.	DESCRIPTION	QUANTITY REQUIRED														
				1	2	3	4	5	6	7	8	9	10	11	12			
1	42111	4715-002	SCREW - #10-16 X 3/8															
2	55180	206863	SCREEN ASSEMBLY															
3	55187	206872	FAN - BLOWER															
4	41860	4060-000	NUT															
5	55190	206876	WASHER - CUP															
6	42116-005	4785-040	SCREW - #8-18 X 1/2		3	4												
7	208060		HOUSING ASSEMBLY		1													
7	55379	210179	HOUSING ASSEMBLY			1												
8	55192	206884	SCREW - SPECIAL	1														
10	206874		GUARD - CORD		1													
10	209508-002		GUARD - CORD			1												
11	4965-002		STRAIN RELIEF		1													
11	55306	209474	STRAIN RELIEF			1												
12	42116	4785-030	SCREW - #8-18 X 3/8	2														
13	55189	206875	GASKET - RUBBER (ADD INDEX #57 WHEN MODEL 269-01-E ONLY REQUIRES GASKET #206875)	1														
14	55227	208063	MOTOR ASSEMBLY W/LABEL - INCLS. #13		1													
★ 14	55247	210548	MOTOR ASSEMBLY - INCLUDES #13 - ADD INDEX #41			1												
16	42452	17265	WASHER	1														
17	41857-010	4047-180	WASHER	2														
18	55191	206881	KNOB	1														
19	41857-015	4047-190	WASHER	2														
20	55226-005	208061	POST ASSEMBLY - INCLUDES #36	1														
21	42117	4788-040	SCREW - #8-32 X 1/2	8														
22	55224	208059	BASE ASSEMBLY - INCLUDES #21 & #23	1														
23	55184	206868	BUMPER ASSEMBLY	4														
25	208062		NOZZLE ASSEMBLY - INCLUDES #28		1													
25	206862		NOZZLE ASSEMBLY - INCLUDES #28A			1												
26	41895	4512-000	LOCKWASHER - EXTERNAL TOOTH	6														
28	55380	207934	NAMEPLATE		1													
28A	55380	210189	NAMEPLATE			1												
29	55298	209389	NUT - FOR ROTARY SWITCH	1														
30	55512	213701	WIRE TIE - PLASTIC	1														
31	55173	206796	HEATER ASSEMBLY W/ THERMOSTAT	1														
32	55304	209472	ROTARY SWITCH	1														
34	55269	208633	KNOB	1														
36	55185	206870	PLUG	1														
37	55281	208916	CORD & PLUG ASSEMBLY - 3 WIRE - INCLUDES #38 & #39	1														
38	204504		TERMINAL - PUSH ON	2														
39	202958		TERMINAL - GROUND	1														
40	210087		SLEEVE - CORD			1												
41	55210	207486	LABEL			1												
57	55387	210385	PAD - RUBBER			2												
58	42142	5106-002	RIVET			1												
59	42120	4833-013	LEADWIRE W/IT - RED			1												
60	42120-010	4833-015	LEADWIRE W/IT - GREEN			1												
61	42120-005	4833-014	LEADWIRE W/IT - ORANGE			1												

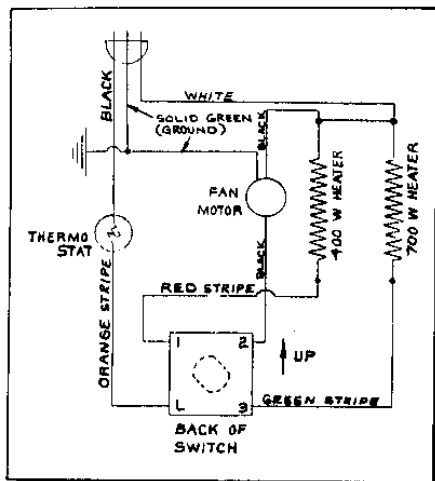
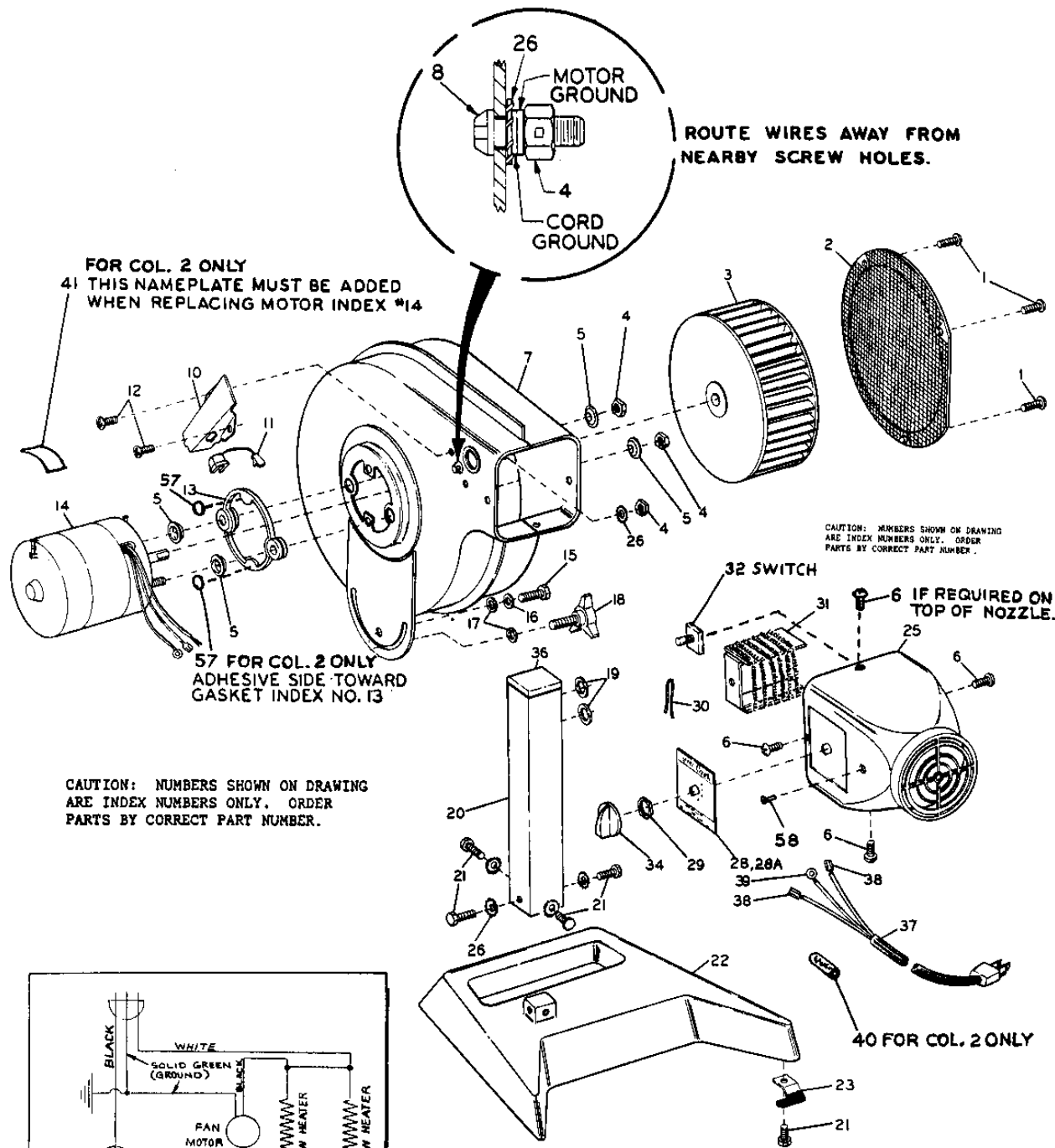
★ NOTE: WHEN REPLACING MOTOR, IT IS VERY IMPORTANT THAT LABEL INDEX #41 BE AFFIXED TO MOTOR.

★ PARTS ARE INTERCHANGEABLE, USE UP EXISTING STOCK.

MANUAL: PROFESSIONAL PRODUCTS
SECTION: HAIR DRYERS

CONTINUED ON REVERSE SIDE







PARTS LIST

USE ONLY GENUINE OSTER PARTS -
USE OF WRONG PARTS MAY BE HAZARDOUS.

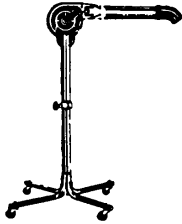
PUBLISHED BY TECHNICAL SERVICES

CAGE DOG DRYER WITH STAND

NEW MODEL(S) ADDED ⇒ FIRST ISSUE 3/75, COLUMN #1

BB-411 REVISED 10/97

PART NO. REVISION



120 VOLTS, 1200 WATTS, 60 HZ																	
MODEL OR SERVICE NO. COLUMN →	1	2	3	4	5	6	7	8	9	10	11	12					

INSTRUCTIONS	COL. NO.
208295	1

SERVICE NOTES	COL. NO.
M-6092	1

SEE PRICE & CROSS REF.
LIST FOR PRICES

INDEX NO.	PART NO.	★ WAS PART NO.	DESCRIPTION	QUANTITY REQUIRED	1	2	3	4	5	6	7	8	9	10	11	12
1	42111	4715-002	SCREW - #10-16 X 3/8	3												
2	55180	206863	SCREEN ASSEMBLY	1												
3	55187	206872	FAN - BLOWER	1												
4	41860	4060-000	NUT	3												
5	55190	206876	WASHER - CUP	4												
6	42116-005	4785-040	SCREW - #8-18 X 1/2	3												
7	208060		HOUSING ASSEMBLY	1												
8	55192	206884	SCREW - SPECIAL	1												
10	206874		GUARD - CORD	1												
11	4965-002		STRAIN RELIEF	1												
12	42116	4785-030	SCREW - #8-18 X 3/8	2												
13	55189	206875	GASKET - RUBBER	1												
14	55227	208063	MOTOR ASSEMBLY - INCLUDES #13	1												
15	207261		SCREW - LOCKING	1												
16	42452	17265	WASHER	1												
17	41857-010	4047-180	WASHER	2												
18	55191	206881	KNOB	1												
19	41857-015	4047-190	WASHER	2												
25	208204		NOZZLE ASSEMBLY - INCLUDES #28	1												
26	41895	4512-000	LOCKWASHER - EXTERNAL TOOTH	2												
28	208203		NAMEPLATE	1												
29	352		NUT - FOR ROTARY SWITCH	1												
30	208067		WIRE TIE - PLASTIC	1												
31	55173	206796	HEATER ASSEMBLY W/THERMOSTAT	1												
32	206725		ROTARY SWITCH	1												
34	55269	208633	KNOB	1												
37	4399-140		CORD & PLUG ASSEMBLY - 3 WIRE - INCLUDES #38 & #39	1												
38	204504		TERMINAL - PUSH ON	2												
39	202958		TERMINAL - GROUND	1												
40	55238	208168	KNOB	1												
41	208662		COLLAR - INCLUDES #53	1												
42	208661		TUBE ASSEMBLY - UPPER	1												
43	55251	208196	SLEEVE - PLASTIC	1												
44	55246	208188	TUBE ASSEMBLY - LOWER	1												
45	55273	208663	LEG ASSEMBLY - REAR & FRONT	2												
46	55272	208660	LEG ASSEMBLY - LEFT & RIGHT	2												
47	55241	208173	SCREW - SPECIAL	4												
48	208169		NUT - CAP	8												
49	55244	208179	CASTER	4												
50	42142	5106-002	RIVET - BLIND	3												
51	55250	208195	NOZZLE EXTENSION	1												
52	55243	208177	ELBOW - RUBBER	1												
53	55254	208210	LABEL - CAUTION	1												

★ PARTS ARE INTERCHANGEABLE, USE UP EXISTING STOCK.

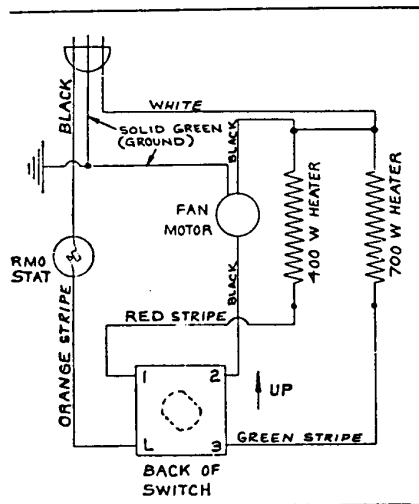
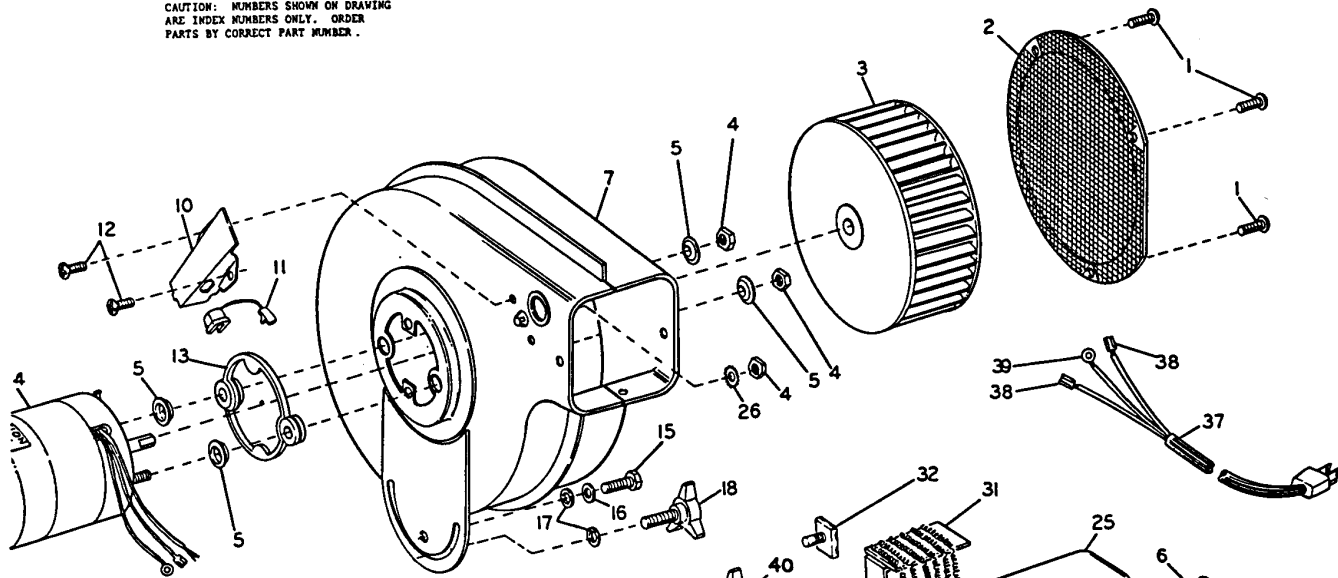
MANUAL: PROFESSIONAL PRODUCTS

CONTINUED ON REVERSE SIDE

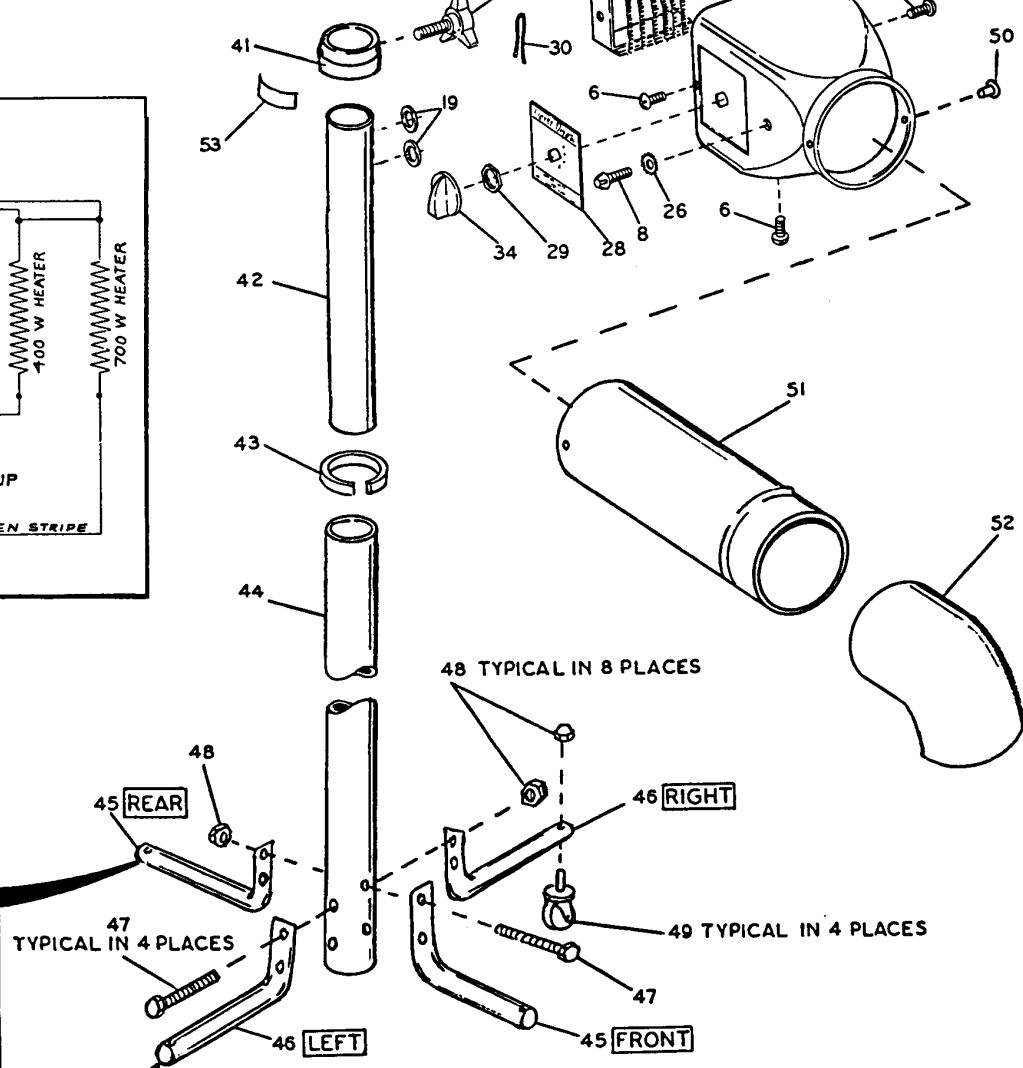
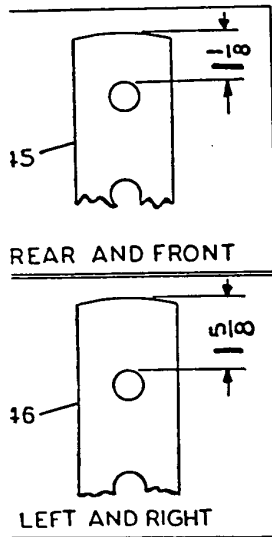
SECTION: HAIR DRYERS



CAUTION: NUMBERS SHOWN ON DRAWING ARE INDEX NUMBERS ONLY. ORDER PARTS BY CORRECT PART NUMBER.



EG ASSEMBLY
 MOUNTING THE FRONT OF THE UNIT WITH MOTOR ON LEFT SIDE





PARTS LIST

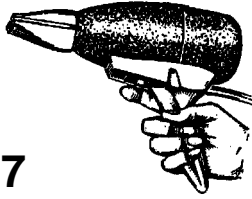
**USE ONLY GENUINE OSTER PARTS -
USE OF WRONG PARTS MAY BE HAZARDOUS.**

PUBLISHED BY TECHNICAL SERVICES

BB-280 REVISED 10/97

PART NO. REVISION

STYLER DRYER



F-7

NEW MODEL(S) ADDED ⇨ FIRST ISSUE 2/73, COLUMN 1, 2, 3

WIRING DIAGRAM - SEE VIEW	1	2	3																
120 VOLTS, 640 WATTS, 60 CYCLES		X	X																
120 VOLTS, 440 WATTS, 25/60 CYCLES		X																	
BLO-WAVE HAIR DRYER			X	X															
STYLING DRYER		X																	
MODEL OR SERVICE NO. COLUMN ⇨	1	2	3	4	5	6	7	8	9	10	11	12							

SEE PRICE & CROSS REF.
LIST FOR PRICES

SERVICE NOTES	COL. NO.
M-6008/M-6009	1, 2, 3

BASIC PARTS

**CONTAINS
NO ASBESTOS**

INDEX NO.	PART NO.	★ WAS PART NO.	DESCRIPTION	1	2	3	4	5	6	7	8	9	10	11	12
1	202401		REAR HOUSING - GOLD - LESS INDEX #3												
1	67255		REAR HOUSING - GOLD - LESS INDEX #3												
2	6025		WASHER - FELT												
3	200260		BALE - GOLD PLATED - METAL												
4	6410		WASHER - FIBER												
5	6176		WASHER - STEEL												
6	6156		ARMATURE ASSEMBLY												
6	69690		ARMATURE & FAN ASSEMBLY (BALANCED)												
7	6152		FIELD ASSEMBLY												
8	42437	6030	BRUSH CLIP												
9	46727	201945	BRUSH & SPRING ASSEMBLY	1PR											
10	17365		REAR MOTOR FRAME - LESS INDEX #16	1											
11	2118		LOCKWASHER	6											
12	4666-010		SCREW - #6-32 X 1 1/2	2											
13	61846		FAN ASSEMBLY												
14	7082		SCREW - #4-24 X 3/8 - SHEET METAL	1											
15	6174		MOTOR HOUSING												
16	41698	1647	BEARING												
17	41717	1952	BEARING RETAINER												
18	6409		WASHER - FELT												
19	350		SCREW - #6-32 X 5/16	4											
21	6004		BRUSH TUBE SUPPORT ASSEMBLY	1											
22	⇨ 55274	208704	HEATER ASSEMBLY W/FUSE & THERMOSTAT												
22	200184		HEATER ASSEMBLY W/FUSE - LESS DIODE												
23	202405		DATA PLATE												
23	76277		DATA PLATE												
24	⇨ 41661	76	SCREW - #4-36 X 7/32												
25	202400		FRONT HOUSING - GOLD												
25	⇨ 4482-010	69215	FRONT HOUSING ASSEMBLY - GOLD												
26	73167		RIVET - METAL	4											
----	68947		RIVET - PLASTIC (#26 SUBSTITUTE	4											
27	202404		NAMEPLATE												
27	66511		NAMEPLATE												
28	67044		NOZZLE - MATTE GOLD PLATED - METAL												
29	202248		SWITCH - SLIDE												
30	66425		SWITCH - SLIDE - HEAT CONTROL												
31	66429		SWITCH - SLIDE - ON-OFF												
32	⇨ 4217-000	421700	HANDLE ASSY. - INCL. #29 - ADD #27												
32	66087		HANDLE - LESS INDEX #30, #31 - ADD #27												
34	69173		NOZZLE MOUNT - LESS SCREEN #48												
36	69218		FUSE - WIRE												
36	204847		THERMO-FUSE - CAUTION: THIS THERMOFUSE TO BE USED ONLY WITH HEATER INDEX #22 AND THERMOSTAT INDEX #58. (SEE SERVICE BULLETIN SSA-264)												
37	202449		CORD & PLUG ASSEMBLY - BROWN												
37	⇨ 201331	66556	CORD & PLUG ASSEMBLY - BROWN												
39	62025		SCREW - #6-32 X 9/16												
40	2677		NUT - BRASS												
41	1308		SCREW - #3-48 X 5/16 - BRASS												
42	2398		WASHER												
48	66174		SCREEN												
49	2902		NUT												
50	19622		LOCKWASHER - EXTERNAL TOOTH												
51	⇨ 4395-120	17471	WASHER												
52	68081		LOCATOR PLATE												
53	65384		DIODE												
54	66274		WASHER												
55	66431		KNOB - FOR ON-OFF SWITCH												
56	66432		KNOB - FOR HEAT CONTROL SWITCH												
57	206488		CONNECTOR												
57	66555		CONNECTOR												
58	204844		THERMOSTAT												

★ PARTS ARE INTERCHANGEABLE, USE UP EXISTING STOCK.

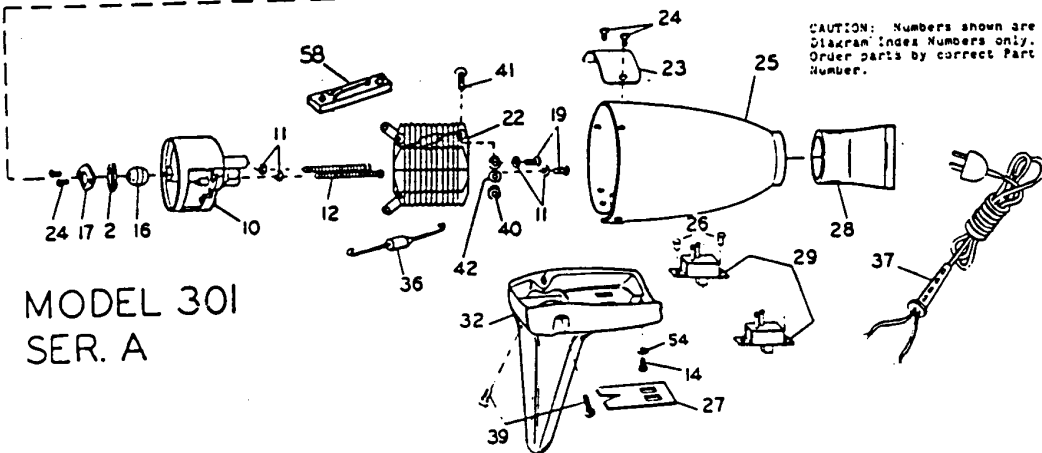
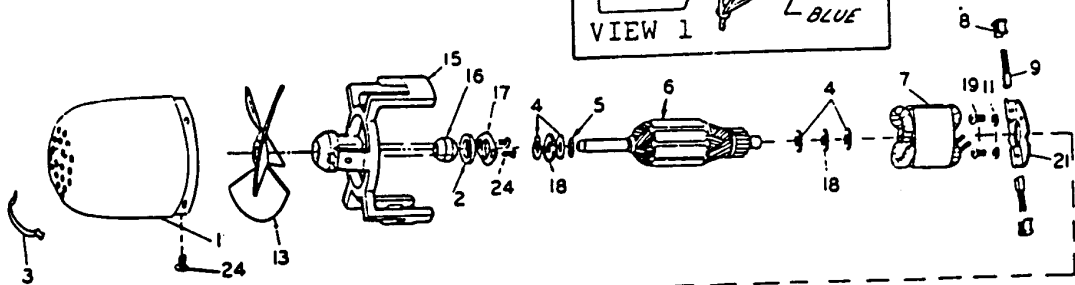
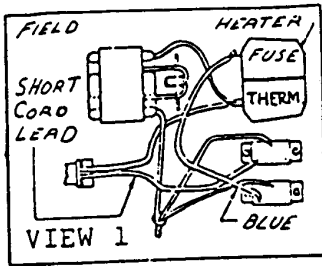
MANUAL: PROFESSIONAL PRODUCTS

CONTINUED ON REVERSE SIDE

SECTION: HAIR DRYERS

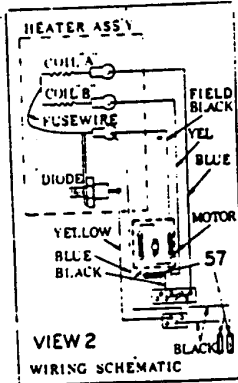
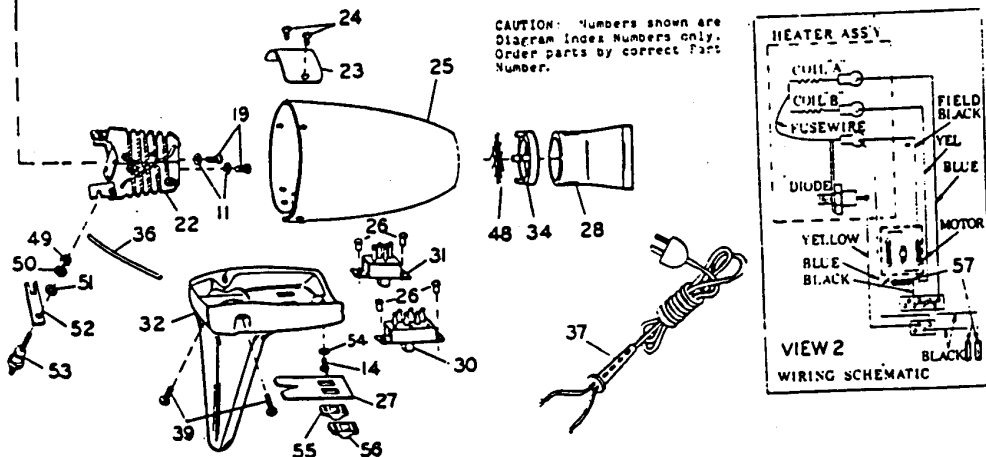
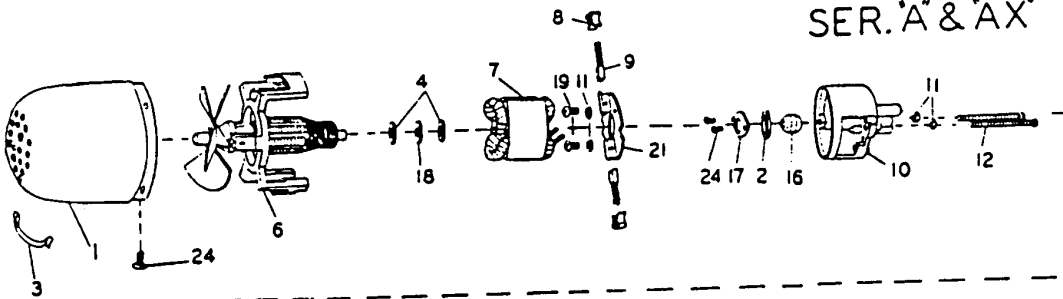


150 CADILLAC LANE
McMINNVILLE, TN 37110



MODEL 301
SER. A

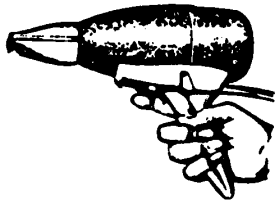
MODEL 302
SER. A & AX





PARTS LIST

STYLER DRYER



**USE ONLY GENUINE OSTER PARTS -
USE OF WRONG PARTS MAY BE HAZARDOUS.**

PUBLISHED BY TECHNICAL SERVICES

NEW MODEL(S) ADDED ⇨ FIRST ISSUE 7/77, COLUMN #1

BB-443 REVISED 10/97

PART NO. REVISION

WIRING DIAGRAM - SEE VIEW	1														
120 VOLTS, 440 WATTS, 25/60 HZ	X														
STYLING DRYER	X														
MODEL OR SERVICE NO. COLUMN →	1	2	3	4	5	6	7	8	9	10	11	12			

SEE PRICE & CROSS REF.
LIST FOR PRICES

SERVICE NOTES	COL. NO.
M-6008/M-6009	1

BASIC PARTS

301-ARW

**CONTAINS
NO ASBESTOS**

INDEX NO.	PART NO.	★ WAS PART NO.	DESCRIPTION	QUANTITY	1	2	3	4	5	6	7	8	9	10	11	12
1	202401		REAR HOUSING - GOLD - LESS INDEX #3	1												
2	6025		FELT WASHER	2												
3	200260		BALE - GOLD PLATED - METAL	1												
4	6410		FIBER WASHER - FOR ARMATURE	4												
5	6176		STEEL WASHER - FOR ARMATURE	1												
6	6156		ARMATURE ASSEMBLY	1												
7	6152		FIELD ASSEMBLY	1												
8	42437	6030	BRUSH CLIP	2												
9	46727	201945	BRUSH & SPRING ASSEMBLY	1PR												
10	17365		REAR FRAME - LESS BEARINGS	1												
11	2118		LOCKWASHER	6												
12	42105-010	4666-010	SCREW - FOR MOTOR	2												
13	61846		FAN ASSEMBLY	1												
14	7082		SCREW - FOR HANDLE BRACKET	1												
15	6174		MOTOR HOUSING	1												
16	41698	1647	BEARING	2												
17	41717	1952	BEARING RETAINER	2												
18	6409		FELT WASHER	2												
19	350		SCREW	4												
21	6004		BRUSH TUBE SUPPORT ASSEMBLY	1												
22	55274	208704	HEATER ASSY. W/FUSE & THERMOSTAT	1												
23	202405		DATA PLATE	1												
24	6204		SCREW	7												
25	202400		FRONT HOUSING - GOLD	1												
26	73167		RIVET - METAL	4												
----	68947		RIVET - PLASTIC (#26 SUBSTITUTE)	4												
27	202404		NAMEPLATE	1												
28	67044		NOZZLE - MATTE GOLD PLATED - METAL	1												
29	202248		SWITCH - SLIDE	2												
30	4217-000		HANDLE ASSEMBLY - INCLUDES #29 - ADD #27	1												
36	208706		THERMO-FUSE	1												
37	202449		CORD & PLUG ASSEMBLY - BROWN	1												
39	62025		SCREW - FOR HANDLE BRACKET	2												
40	2677		NUT - BRASS	6												
41	1308		SCREW - #3 - 48 X 5/16 - BRASS	1												
42	2398		WASHER	1												
54	66274		WASHER	1												
57	55136	206488	CONNECTOR	1												
58	208740		THERMOSTAT	1												

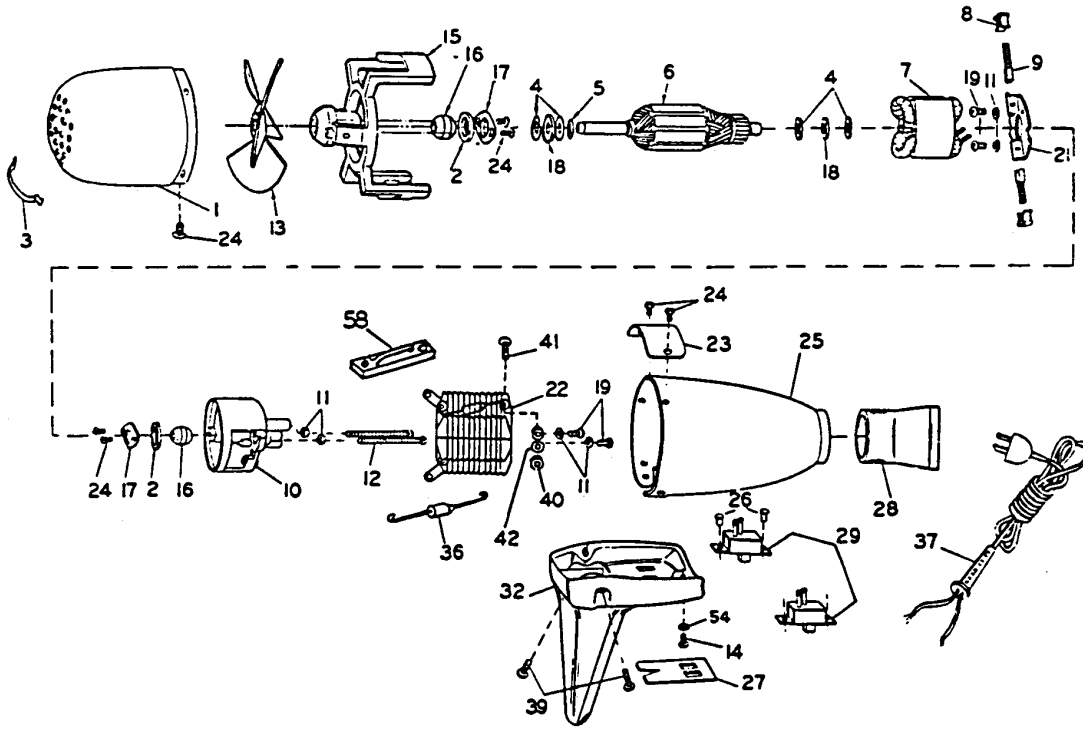
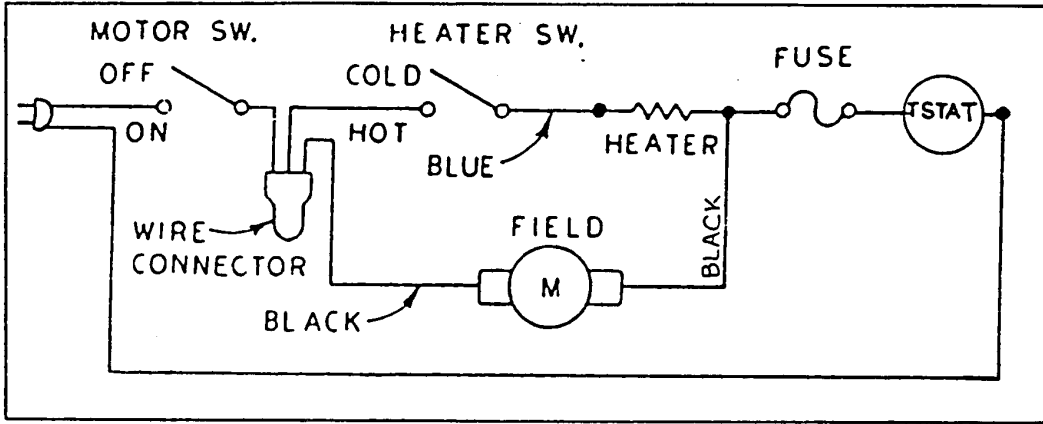
★ PARTS ARE INTERCHANGEABLE, USE UP EXISTING STOCK.

MANUAL: PROFESSIONAL PRODUCTS
SECTION: HAIR DRYERS

CONTINUED ON REVERSE SIDE



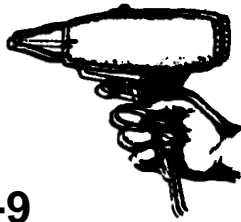
CAUTION: NUMBERS SHOWN ON DRAWING
ARE INDEX NUMBERS ONLY. ORDER
PARTS BY INDEX PART NUMBER.





PARTS LIST

STYLER DRYER



F-9

**USE ONLY GENUINE OSTER PARTS -
USE OF WRONG PARTS MAY BE HAZARDOUS.**

PUBLISHED BY TECHNICAL SERVICES

NEW MODEL(S) ADDED ⇨ FIRST ISSUE 6/73, COLUMN 1

BB-268 REVISED 10/97

PART NO. REVISION

2 SPEED SLIDE SWITCH - 1 HEAT SLIDE SW.	X																		
STYLER DRYER	X																		
COLOR - YELLOW	X																		
120 VOLTS, 440 WATTS, 25/60 CYCLES	X																		
MODEL OR SERVICE NO. COLUMN →	1	2	3	4	5	6	7	8	9	10	11	12							

SEE PRICE & CROSS REF.
LIST FOR PRICES

SERVICE NOTES	COL. NO.
M-6050	1

BASIC PARTS
303-01-A

**CONTAINS
NO ASBESTOS**

INDEX NO.	PART NO.	★ WAS PART NO.	DESCRIPTION	QUANTITY	1	2	3	4	5	6	7	8	9	10	11	12
1	205151		NAMEPLATE	1												
2	4433-020		HOUSING - LEFT - YELLOW	1												
3	4431-001		END CAP - ADD REQUIRED DATA PLATE #4	1												
4	205154		DATA NAMEPLATE	1												
5	4575-000		STAND 4 POSITION	1												
6	204837		NUT - HEX - #5-40	1												
7	204848		IMPELLER - FAN	1												
8	4429-020		HOUSING - RIGHT - YELLOW	1												
9	4741-030		SCREW - #4-24 X 5/8	1												
10	4741-020		SCREW - #4-24 X 7/16	2												
11	4303-030		CORD & PLUG - WHITE	1												
12	74938		RETAINING RING	1												
13	204461		GASKET - FOAM - SELF ADHESIVE	1												
14	204972		HOUSING ASSEMBLY MOTOR - INCLUDES #13	1												
15	204836		WICK - REAR	1												
16	204834		BEARING - SINTERED	2												
17	204786		RETAINER - BEARING	2												
18	204668		CLIP - BRUSH	2												
19	204797		FIELD ASSEMBLY - INCLUDES INDEX #18	1												
20	4047-090		WASHER - THRUST	1												
21	204800		ARMATURE ASSEMBLY	1												
22	204835		WICK - FRONT	1												
23	204974		BRUSH & SPRING ASSEMBLY	1PR.												
24	204976		END BELL ASSEMBLY - INCLUDES #16, #17, & #22	1												
25	82821		RETAINER - END BELL	1												
26	63072		SCREW - #4-24 X 5/16	1												
27	204975		HEATER ASSEMBLY - COMPLETE - INCLUDES #28, #35, & #41	1												
28	204140		SHIELD - FOR HEATER	1												
29	204973		SWITCH ASSEMBLY - COMP. - INCLUDES #30	1												
30	64402		DIODE	1												
31	204718		INSULATOR	2												
32	204129		GRILL	1												
33	4430-001		RING CLAMP - YELLOW	1												
34	4636-000		SCREW - #3-48 X 1/4	3												
35	204603		THERMOSTAT	1												
36	1308		SCREW - #3-48 X 5/16	1												
37	2677		NUT - HEX - #3-48 - BRASS	6												
38	2398		WASHER	5												
39	4528-000		LOCKWASHER	3												
40	204791		TERMINAL	2												
41	204144		FUSE - THERMAL	1												
43	4457-040		CLIP ASSEMBLY	1												
45	4460-030		NOZZLE ASSEMBLY - INCLUDES #43	1												
48	24		DRIVE - SCREW	2												
49	206374		SCREEN - HAIR GUARD	1												

★ PARTS ARE INTERCHANGEABLE, USE UP EXISTING STOCK.

MANUAL: PROFESSIONAL PRODUCTS

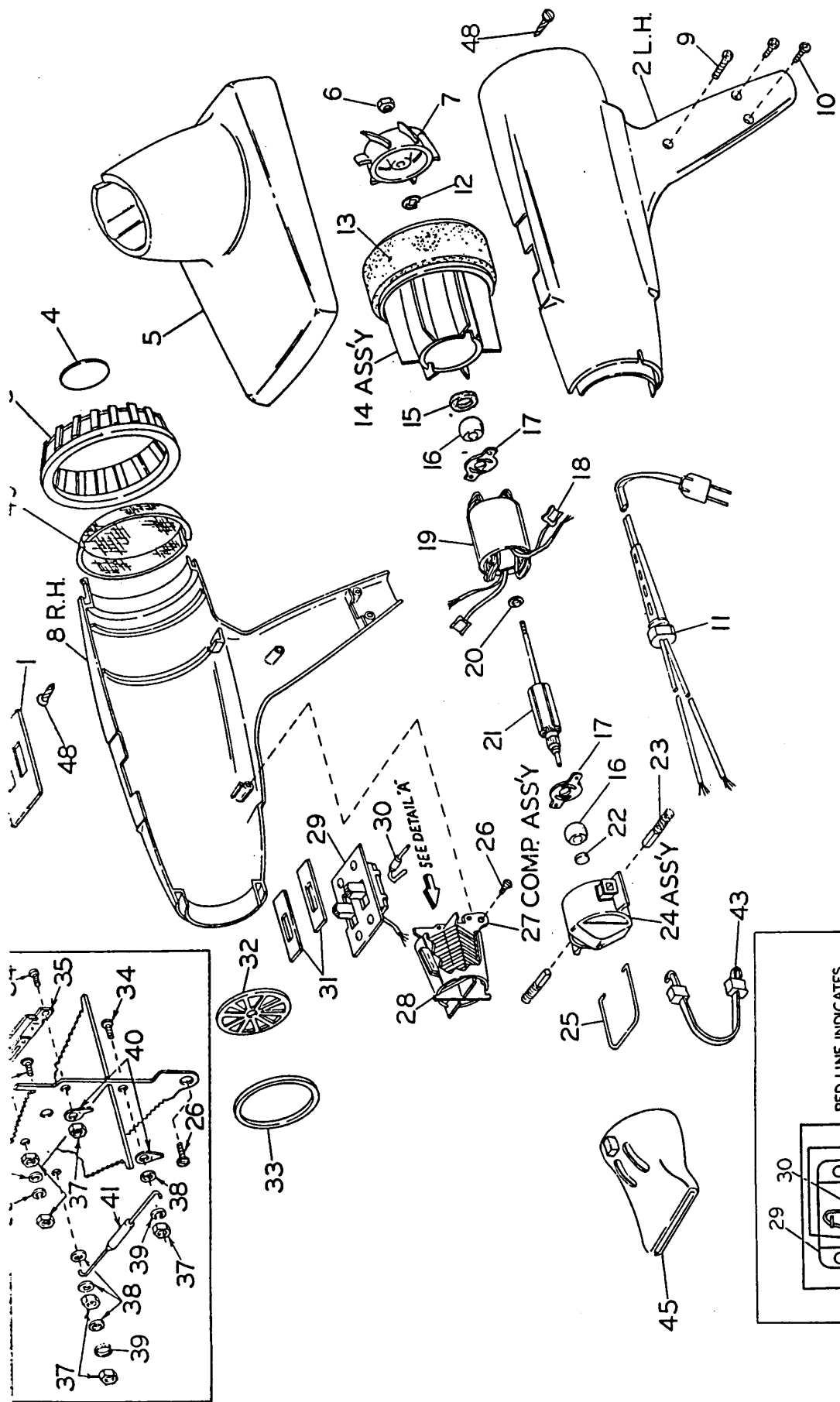
CONTINUED ON REVERSE SIDE

SECTION: HAIR DRYERS

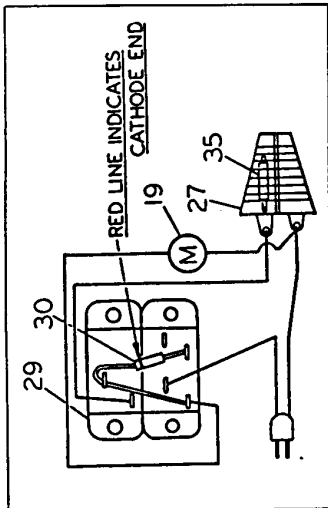
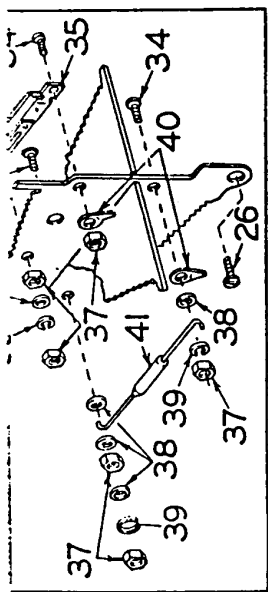
PAGE 14



150 CADILLAC LANE
McMINNVILLE, TN 37110



CAUTION: NUMBERS SHOWN ARE DIAGRAM INDEX NUMBERS ONLY. ORDER PARTS BY CORRECT PART NUMBER.





PARTS LIST

**USE ONLY GENUINE OSTER PARTS -
USE OF WRONG PARTS MAY BE HAZARDOUS.**

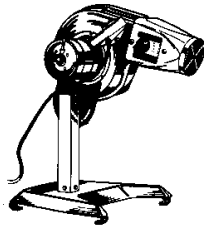
PUBLISHED BY TECHNICAL SERVICES

TABLE & CAGE DRYER

NEW MODEL(S) ADDED → FIRST ISSUE 6/79, COLUMN #1

BB-502 REVISED 10/97

PART NO. REVISION



INSTRUCTIONS	COL. NO.
207002	1

120 VOLTS, 1680 WATTS, 60 HZ	X																		
MODEL OR SERVICE NO. COLUMN →	1	2	3	4	5	6	7	8	9	10	11	12							

SEE PRICE & CROSS REF.
LIST FOR PRICES

SERVICE NOTES	COL. NO.
M-6092	1

**CONTAINS
NO ASBESTOS**

INDEX NO.	PART NO.	★ WAS PART NO.	DESCRIPTION	QUANTITY	1	2	3	4	5	6	7	8	9	10	11	12
1	42111	4715-002	SCREW - #10-16 X 3/8	3												
2	55180	206863	SCREEN ASSEMBLY	1												
3	55314	209652	FAN - BLOWER	1												
4	41860	4060-000	FAN - BLOWER	2												
5	55190	206876	WASHER - CUP	4												
6	42116-005	4785-040	SCREW - #8-18 X 1/2	4												
7	55321	209521	HOUSING ASSEMBLY	1												
8	42142	5106-002	RIVET	1												
10	55316	209508	GUARD - CORD	1												
11	55306	209474	STRAIN RELIEF	1												
12	42116	4785-030	SCREW - #8-18 X 3/8	2												
13	55189	206875	GASKET - RUBBER - ADD INDEX #57	1												
14	55694	215245	MOTOR ASSEMBLY	1												
15	55256	208292	SCREW - LOCKING	1												
16	42452	17265	WASHER	1												
17	41857-010	4047-180	WASHER	2												
18	55191	206881	KNOB	1												
19	41857-015	4047-190	WASHER	2												
20	55226-005	208061	POST ASSEMBLY - INCLUDES #36	1												
21	42117	4788-040	SCREW - #8-32 X 1/2	8												
22	55360	209766	BASE ASSEMBLY - INCLUDES #21 & # 23	1												
23	55184	206868	BUMPER ASSEMBLY	4												
25	55320	209518	NOZZLE ASSEMBLY - INCLUDES #28	1												
26	41895	4512-000	LOCKWASHER - EXTERNAL TOOTH	6												
28	55310	209485	NAMEPLATE	1												
29	55298	209389	NUT - FOR ROTARY SWITCH	1												
30	55512	213701	WIRE TIE - PLASTIC	1												
31	55315	209507	HEATER ASSEMBLY W/ THERMOSTAT	1												
32	55304	209472	ROTARY SWITCH	1												
34	55269	208633	KNOB	1												
36	55185	206870	PLUG	1												
37	55305	209473	CORD & PLUG ASSEMBLY - 3 WIRE - INCL. #38 & #39	1												
38	209600		TERMINAL - PUSH-ON	2												
39	209601		TERMINAL - GROUND	1												
40	55193	206885	NUT	1												
41	55192	206884	SCREW	1												
57	55387	210385	PAD - RUBBER	2												
58	42120-020	4833-118	LEADWIRE W/IT - RED	1												
59	42120-025	4833-120	LEADWIRE W/IT - WHITE	1												
60	55403210773-000		LEADWIRE ASSEMBLY	1												

TROUBLESHOOTING FOR INTERMITTENT MOTOR OPERATION

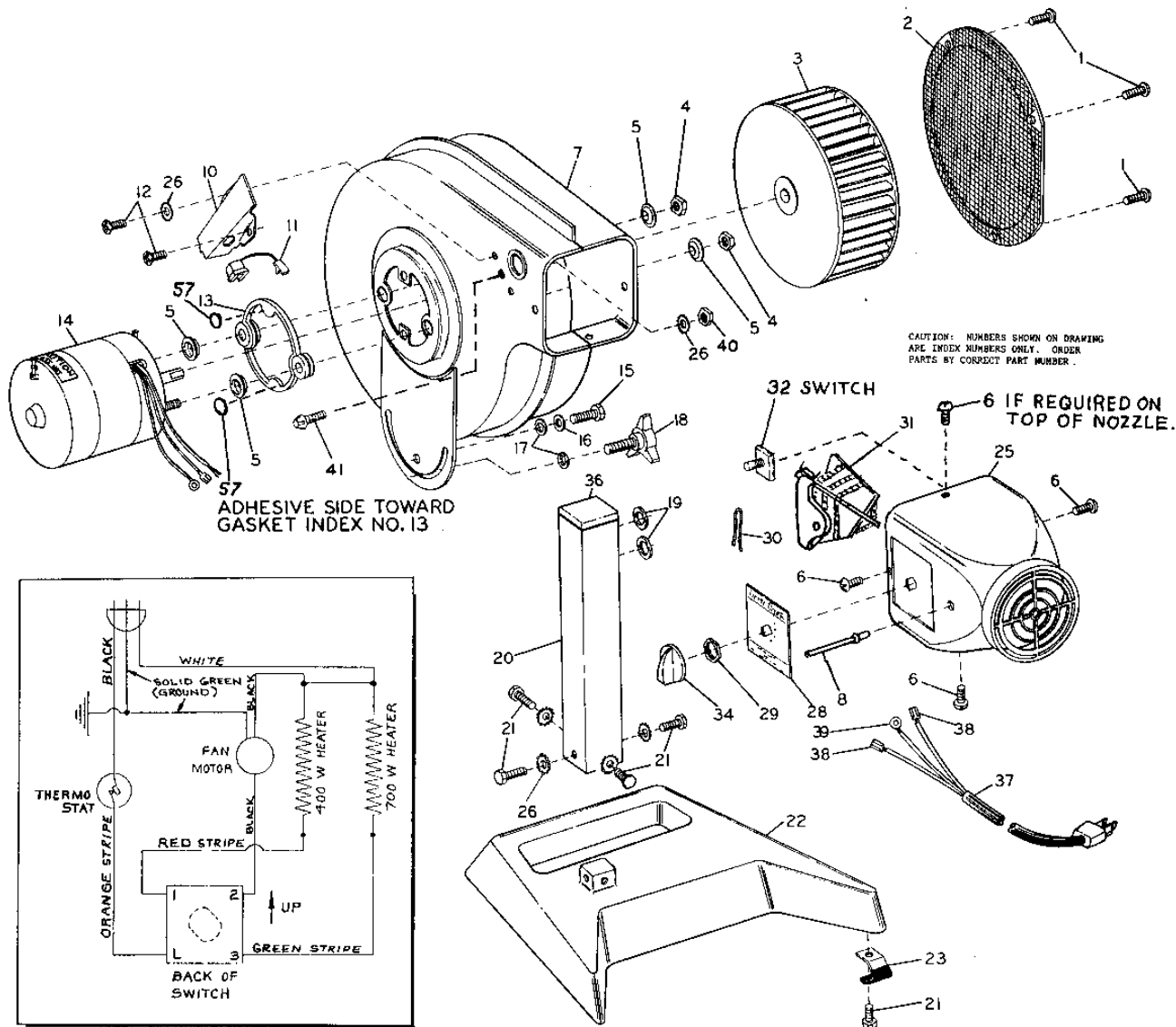
CAUSE	MOTOR PLUGGED WITH HAIR	POOR CONNECTION AT CORD PLUG	INSUFFICIENT MOTOR END PLAY	DEFECTIVE SWITCH
DETERMINATION	Unplug unit. Loosen three screws and remove motor end cap. Inspect to see if hair is blocking air channels around outside of motor.	A. Examine plug for melted or distorted material. B. Twist plug relative to outlet and twist cord relative to plug while unit is operating to detect open connection.	Unplug unit. Remove air intake screen on side of blower. Move hub of blower wheel in and out. If movement cannot be felt, end play is insufficient.	If previously mentioned fixes <u>Do Not</u> correct the problem, the switch should be replaced.
FIX	Remove hair by brushing or by using a vacuum.	Replace cord if plug has an open connection or if plug shows that it has been overheated.	Tap hub of blower lightly with a mallet. Re-check for end play and tap again if necessary.	

★ PARTS ARE INTERCHANGEABLE, USE UP EXISTING STOCK.

MANUAL: PROFESSIONAL PRODUCTS
SECTION: HAIR DRYERS

CONTINUED ON REVERSE SIDE





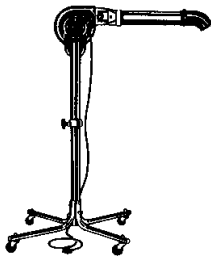


PARTS LIST

**USE ONLY GENUINE OSTER PARTS -
USE OF WRONG PARTS MAY BE HAZARDOUS.**

PUBLISHED BY TECHNICAL SERVICES

STAND DRYER



NEW MODEL(S) ADDED → FIRST ISSUE 5/89, COLUMN #2

BB-503 REVISED 10/97

PART NO. REVISION

120 VOLTS, 1200 WATTS, 60 HZ	X	X																	
MODEL OR SERVICE NO. COLUMN →	1	2	3	4	5	6	7	8	9	10	11	12							

**SEE PRICE & CROSS REF.
LIST FOR PRICES**

INSTRUCTIONS	COL. NO.
208295	1, 2

SERVICE NOTES	COL. NO.
M-6092	1, 2

INDEX NO.	PART NO.	★ WAS PART NO.	DESCRIPTION	BASIC PARTS	309-01-A	309-01-B	QUANTITY REQUIRED													
1	42111	4715-002	SCREW - #10-16 X 3/8	3																
2	55180	206863	SCREEN ASSEMBLY	1																
3	55314	209505	FAN - BLOWER	1																
4	41860	4060-000	NUT	2																
5	55190	206876	WASHER - CUP	4																
6	42116-005	4785-040	SCREW - #8-18 X 1/2	4																
7	55321	209521	HOUSING ASSEMBLY	1																
10	55316	209508	GUARD - CORD	1																
11	55306	209474	STRAIN RELIEF	1																
12	42116	4785-030	SCREW - #8-18 X 3/8	2																
13	55189	206875	GASKET - RUBBER - ADD INDEX #57	1																
→ 14	55694	215245	MOTOR ASSEMBLY - INCLS. ITEM #13	1																
15	55256	208292	SCREW - LOCKING	1																
16	42452	17265	WASHER	1																
17	41857-010	4047-180	WASHER	2																
18	55191	206881	KNOB	1																
19	41857-015	4047-190	WASHER	2																
25	55319	209511	NOZZLE ASSEMBLY - INCLUDES #28	1																
26	41895	4512-000	LOCKWASHER - EXTERNAL TOOTH	2																
→ 28	58447	221083	NAMEPLATE	1																
→ 29	55298	209389	NUT - FOR ROTARY SWITCH	1																
→ 30	55512	213701	WIRE TIE - PLASTIC	1																
31	55315	209507	HEATER ASSEMBLY W/ THERMOSTAT	1																
32	55304	209472	ROTARY SWITCH	1																
34	55269	208633	KNOB	1																
37	55305	209473	CORD & PLUG ASSEMBLY - 3 WIRE - INCL. #38 & #39	1																
38	209600		TERMINAL - PUSH-ON	2																
39	209601		TERMINAL - GROUND	1																
40	55238	208168	KNOB	1																
41	55359	209765	COLLAR - INCLS. #53	1																
42	55362	209768	TUBE ASSY. - UPPER	1																
43	55251	208196	SLEEVE - PLASTIC	1																
44	55246	208188	TUBE ASSY. - LOWER	1																
45	55273	208663	LEG ASSY. - REAR & FRONT	2																
→ 46	55272	208660	LEG ASSY. - LEFT & RIGHT	2																
47	55241	208173	SCREW - SPECIAL	4																
48	55294	209292	NUT - CAP	8																
49	55244	208179	*CASTER - 1 5/8" DIAMETER	4																
49B	58449	221085	CASTER - 2 1/2" DIAMETER	4																
50	42142	5106-002	RIVET - BLIND	4																
51	55250	208195	NOZZLE EXTENSION	1																
52	55243	208177	ELBOW - RUBBER	1																
53	55254	208210	LABEL - CAUTION	1																
54	55193	206885	NUT	1																
55	55192	206884	SCREW - SPECIAL	1																
57	55387	210385	PAD - RUBBER	2																
58	55111	205247	"O" RING - SEE NOTE 1, PAGE 27	1																
59	42120-020	4833-118	LEADWIRE	1																
60	42120-025	4833-120	LEADWIRE	1																
61	55403	210773	LEADWIRE	1																

*** NOTE:**
CUSTOMER HAS A CHOICE.
1. IF THEY CHOOSE SO, THEY CAN REPLACE WITH ORIGINAL CASTER (49) OR:
2. REPLACE WITH 4 LARGER DIAMETER CASTERS (49B) WHICH HAVE GREATER MOBILITY AND STABILITY.

TROUBLESHOOTING FOR INTERMITTENT MOTOR OPERATION

CAUSE	MOTOR PLUGGED WITH HAIR	POOR CONNECTION AT CORD PLUG	INSUFFICIENT MOTOR END PLAY	DEFECTIVE SWITCH
DETERMINATION	Unplug unit. Loosen three screws and remove motor end cap. Inspect to see if hair is blocking air channels around outside of motor.	A. Examine plug for melted or distorted material. B. Twist plug relative to outlet and twist cord relative to plug while unit is operating to detect open connection.	Unplug unit. Remove air intake screen on side of blower. Move hub of blower wheel in and out. If movement cannot be felt, end play is insufficient.	If previously mentioned fixes <u>Do Not</u> correct the problem, the switch should be replaced.
FIX	Remove hair by brushing or by using a vacuum.	Replace cord if plug has an open connection or if plug shows that it has been overheated.	Tap hub of blower lightly with a mallet. Re-check for end play and tap again if necessary.	

★ PARTS ARE INTERCHANGEABLE, USE UP EXISTING STOCK.

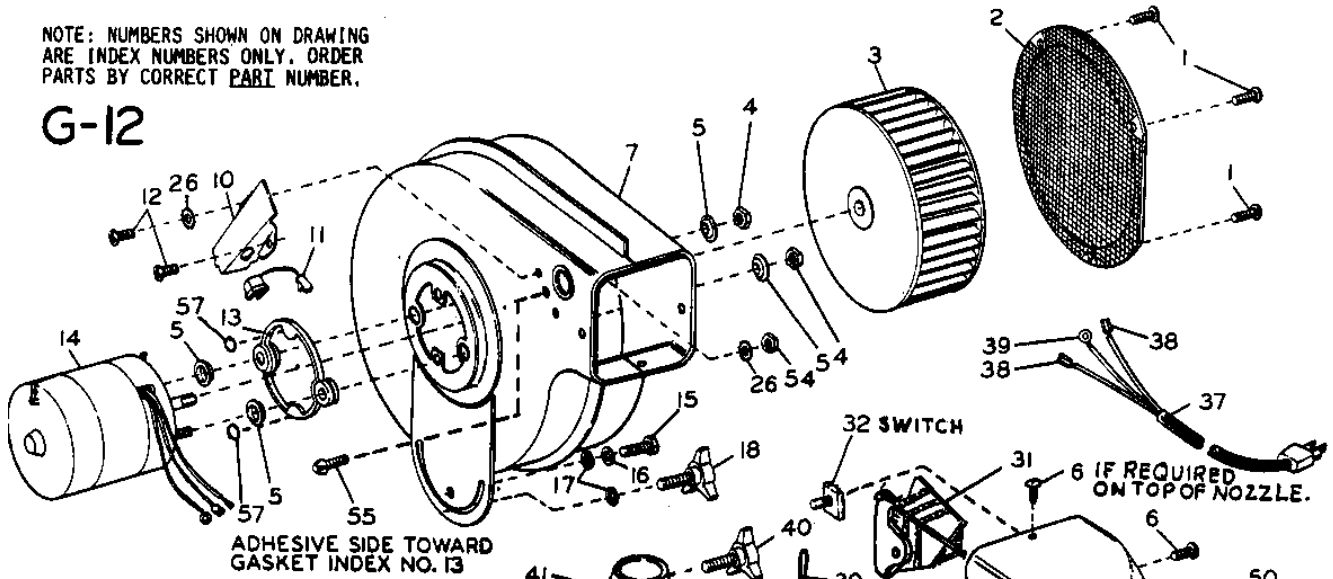
MANUAL: PROFESSIONAL PRODUCTS
SECTION: HAIR DRYERS

CONTINUED ON REVERSE SIDE

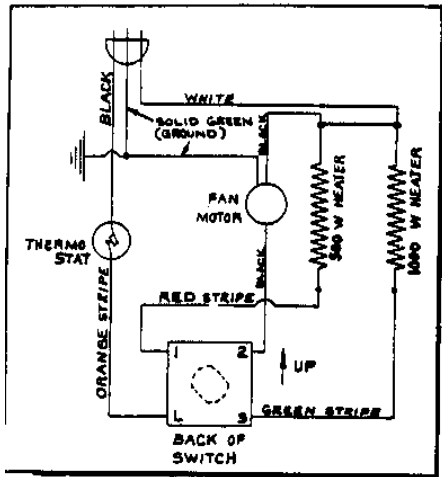


NOTE: NUMBERS SHOWN ON DRAWING ARE INDEX NUMBERS ONLY. ORDER PARTS BY CORRECT PART NUMBER.

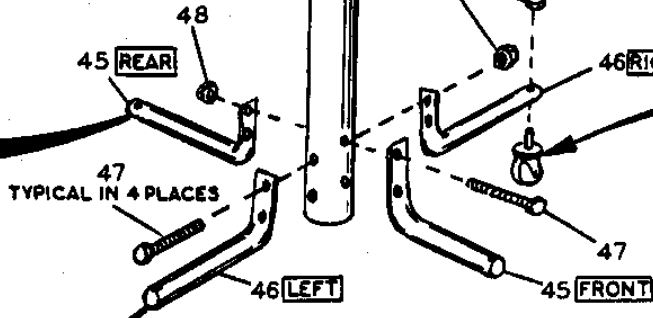
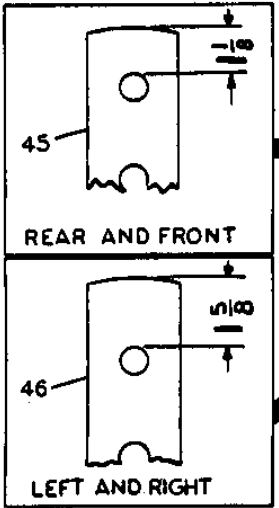
G-12



ADHESIVE SIDE TOWARD GASKET INDEX NO. 13



LEG ASSEMBLY
FACING THE FRONT OF UNIT WITH MOTOR ON LEFT SIDE



NOTE 1: TO SERVICE STATIONS
IF CUSTOMER COMPLAINS THAT THE TOP HALF OF DOG DRYER STAND TURNS WHEN NOZZLE IS IN CERTAIN POSITION, DO THIS:
ADD "O" RING #205247 ON THE DRYER STAND AS SHOWN, TO INSERT "O" RING, DO THE FOLLOWING:
A. REMOVE PLASTIC SLEEVE #43
B. REMOVE TOP PART OF STAND FROM THE LOWER SECTION
C. SLIDE COLLAR #41 UP ON STAND POST AND PLACE "O" RING ON POST
D. SLIDE COLLAR INTO POSITION AND ASSEMBLE UPPER POST TO LOWER POST