

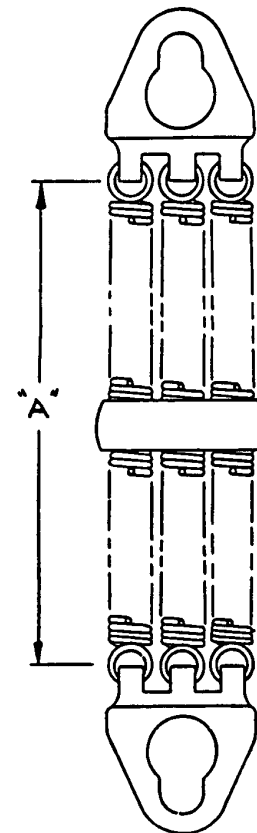
A-1

MODELS THAT ARE INACTIVE ARE NOT INCLUDED ON FICHE CURRENTLY PUBLISHED. THESE PARTS LISTS CAN BE OBTAINED BY CONTACTING OSTER - TECHNICAL SERVICE DEPT. PLEASE GIVE SERVICE NO. & PAGE NO.

SERVICE NO.	FRAME	PAGE NO.
M3-E	A-7	3
22	Canada....	A-8 4
M4-B	A-10	6
01-E	A-9	5
01-F	A-13	9
02	Canada....	A-10 6
11-H	A-11	7
11-HX	A-13	9
14-01-A	A-5	1
01-ARW	A-5	1
11-A	B-3	14
11-ARW	B-3	14
11-B	B-3	14
11-BRW	B-3	14
11-E	B-5	16
103-01-A	A-5	1
01-ARW	A-5	1
02-A	B-1	12
02-ARW	B-1	12
10-A	B-3	14
10-ARW	B-3	14
10-E	B-7	18
167-01-B	A-13	9
297-01-A	B-13	11

FOR FRAME REPLACEMENT, SEE SSB-721  
FOUND AFTER INDEX ON A-3

SPRING CLIPS FOR BACK OF THE HAND MESSAGERS	
Lengths available from Factory	
DIMENSION "A" (INCHES)	SERVICE PART NUMBER
3	2625
3 1/4	4214-260
3 5/8	4214-290
4 1/8	2629
4 3/8	4214-370
5	4214-400
5 5/8	4214-450
6	4214-480
All the above sizes are available at the present time and can be used as <u>front</u> or <u>rear</u> grip on current models. Subject to change without notice.	



FOR HI-POT AND LEAKAGE TESTS  
FOR SERVICE - SEE  
FRAME G-14

USE ONLY SPECIFIED GENUINE OSTER PARTS - USE OF OTHER SUBSTITUTES MAY BE HAZARDOUS.



**PARTS LIST**

STIM-U-LAX MESSAGE MACHINE

**USE ONLY GENUINE OSTER PARTS -  
USE OF WRONG PARTS MAY BE HAZARDOUS.**

PUBLISHED BY TECHNICAL SERVICES

M-2248 REVISED 10/97

PART NO. REVISION

**NEW MODEL(S) ADDED => FIRST ISSUE 2/80, COLUMNS #1 & #2**

115 VOLTS	X	X																	
<b>MODEL OR SERVICE NO. COLUMN</b>	<b>1</b>	<b>2</b>	<b>3</b>	<b>4</b>	<b>5</b>	<b>6</b>	<b>7</b>	<b>8</b>	<b>9</b>	<b>10</b>	<b>11</b>	<b>12</b>							

**A-7**

**SEE PRICE & CROSS REF.  
LIST FOR PRICES**

**BASIC PARTS**

INDEX NO.	PART NO.	★ WAS PART NO.	DESCRIPTION	M-E	M-3-22	QUANTITY REQUIRED														
1	17		SCREW - BINDER -#8-32 X 2 3/16			2														
2	9		BUSHING			2														
3	59		WASHER FIBER			1														
4	1656		CAM			1														
5	4427		FRONT MOTOR HOUSING - NOT AVAILABLE			1														
6	55412	211163	BALL BEARING - FRONT HOUSING			1														
7	242		STEEL WASHER - .010 THICK - NOT AVAILABLE			1														
8	1755		WASHER - FIBER			1														
9	2277		ARMATURE & FAN ASSEMBLY			1														
10	2131		FIELD ASSEMBLY - NOT AVAILABLE			1														
11	41657	47	BRUSH KNOB			2														
12	41700	1654	BRUSH & SPRING ASSEMBLY			1PR														
13	46		BRUSH TUBE			2														
14	7		WASHER - FIBER 1/32" THICK			1														
15	2801		WASHER - FIBER .010 THICK			1														
16	60632		BALL BEARING - REAR HOUSING			1														
17	2043		REAR MOTOR HOUSING - NOT AVAILABLE			1														
18	19		SCREW - SET #8-32 X 1/4			2														
19	12		SPRING - CONNECTING			1														
20	60600		BRUSH TUBE - INSULATOR			2														
21	3022		CORD & PLUG ASSEMBLY			1														
22	66251		SPRING CAP			1														
23	393		LOCKING KEY - CONNECTING SPRING			1														
24	18		SCREW - SET - #12-28 X 7/16			1														
25	13		RUBBER TUBE			1														
26	73104		FRAME - NOT AVAILABLE - SEE NOTE ON PAGE 4			1														
27	5		SCREW - #10-24 X 3/8 - NICKEL			4														
28	55411	211162	BALL BEARING - FRONT FRAME			1														
29	72		BEARING CAP			1														
30	2294		GUARD - HAIR			1														
31	41661	76	SCREW - #4-36 X 7/32 - NICKEL			1														
32	73141		NAMEPLATE - NOT AVAILABLE			1														
33	203696		HAND CUSHION WITH LUGS			1														
34	2624		#0 FRONT SPRING GRIP - LARGE			1														
34	1478		#0 FRONT SPRING GRIP - LARGE			1	1													
34	2625		#00 FRONT SPRING GRIP - MEDIUM			1														
34	1479		#00 FRONT SPRING GRIP - MEDIUM			1	1													
34	41880-020	4214-300	#000 FRONT SPRING GRIP - SMALL			1														
35	2628		#0 REAR SPRING GRIP - LARGE			1	1													
35	41880-015	4214-290	#000 REAR SPRING GRIP - SMALL			1														
35	41750	2629	#00 REAR SPRING GRIP - MEDIUM			1	1													
36	61740		SCREW - #4-40 X 3/16 - CADMIUM			1														
37	71		WIRE CONNECTION GUARD - NOT AVAILABLE			1														
38	60613		INSULATION BOX - NOT AVAILABLE			1														
39	42446	7783	SWITCH			1														
40	41683	379	KNURLED NUT			2														
41	55136	206488	CONNECTOR			2														

★ PARTS ARE INTERCHANGEABLE, USE UP EXISTING STOCK.

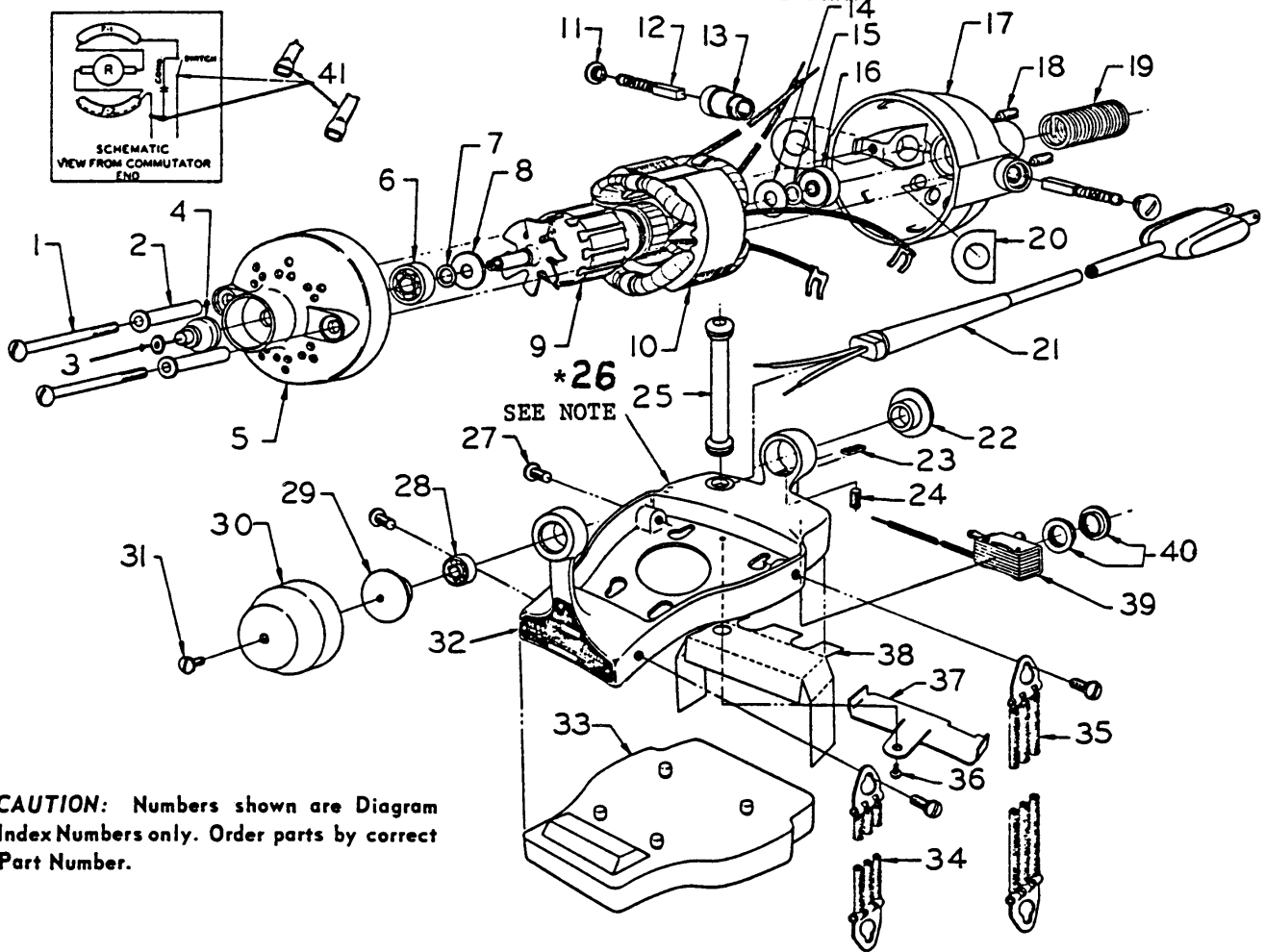
MANUAL: PROFESSIONAL PRODUCTS

CONTINUED ON REVERSE SIDE

SECTION: MASSAGERS

\* IMPORTANT NOTE

FRAME PART NO. 73104 IS NO LONGER AVAILABLE.  
IF REPLACEMENT IS REQUIRED, HAVE CUSTOMER SEND  
UNIT BACK TO MILWAUKEE FACTORY SERVICE CENTER  
FOR EXCHANGE OFFER. SEE BULLETIN SSB - 721 LOCATED  
AFTER MASSAGER INDEX.



**CAUTION:** Numbers shown are Diagram Index Numbers only. Order parts by correct Part Number.



**PARTS LIST**

STIM-U-LAX JUNIOR MASSAGER

**USE ONLY GENUINE OSTER PARTS -  
USE OF WRONG PARTS MAY BE HAZARDOUS.**

PUBLISHED BY TECHNICAL SERVICES

NEW MODEL(S) ADDED ⇒ FIRST ISSUE 2/80, COLUMNS #1 , 2, 3

M-1893 REVISED 10/97

PART NO. REVISION

115 VOLTS															
<b>MODEL OR SERVICE NO. COLUMN</b> →	<b>1</b>	<b>2</b>	<b>3</b>	<b>4</b>	<b>5</b>	<b>6</b>	<b>7</b>	<b>8</b>	<b>9</b>	<b>10</b>	<b>11</b>	<b>12</b>			
<b>SEE PRICE &amp; CROSS REF. LIST FOR PRICES</b>															
<b>BASIC PARTS</b>	4-01-A	4-01-B	4-02												

INDEX NO.	PART NO.	★ WAS PART NO.	DESCRIPTION	QUANTITY REQUIRED											
1	55136	206488	CLOSED END CONNECTOR	2											
2	79		BINDER SCREW	2											
3	59		WASHER - FIBER	1											
4	1645		CAM	1											
5	7933		FIBER WASHER - NOT AVAILABLE	1											
6	281		FRONT MOTOR HOUSING & BRG. ASSEMBLY - BLACK	1											
7	7932		WASHER - FIBER	2											
8	1781		WASHER - FIBER	2											
9	SEE NOTE		ARMATURE & FAN ASSEMBLY	1											
10	78145		FIELD ASSEMBLY	1											
11	282		REAR MOTOR HSG. - INCLS. BRG. & BRUSH TUBES	1											
12	41662	90	BRUSH KNOB	2											
13	1655		BRUSH & SPRING ASSEMBLY	1PR											
14	12		CONNECTING SPRING	1											
15	41661	76	SCREW - FOR HAIR GUARD	1											
16	2294		HAIR GUARD - PLASTIC - CHROME PLATED	1											
17	72		BEARING CAP	1											
18	24		DRIVE SCREW	3											
19	55142	211163	BALL BEARING	1											
20	73104		FRAME - NOT AVAILABLE - SEE NOTE ON PAGE 8	1											
21	13		RUBBER TUBE - BLACK	1											
22	3022		CORD & PLUG ASSEMBLY	1											
23	66251		SPRING CAP	1											
24	393		LOCKING KEY - CONNECTING SPRING & CAP	1											
25	18		SET SCREW - FOR CONNECTING SPRING	1											
26	60613		INSULATION BOX - NOT AVAILABLE	1											
27	71		GUARD - SWITCH & LEADS - NOT AVAILABLE	1											
27	61812		GUARD - FOR SWITCH & LEADS - NOT AVAILABLE			1									
28	61740		SCREW	2											
29	42446	7783	SWITCH - TOGGLE	1											
----	190		SWITCH SPACER - NOT AVAILABLE			1									
30	41683	379	KNURLED NUT	2											
31	203696		HAND CUSHION - WITH LUGS	1											
31	4255		HAND CUSHION - WITH LUGS			1									
32	4685-003		SCREW	4											
33	73140		NAMEPLATE	1											
34	2624		#0 FRONT SPRING GRIP - LARGE	1											
34	1478		#0 FRONT SPRING GRIP - LARGE			1									
34	2625		#00 FRONT SPRING GRIP - MEDIUM	1											
34	1479		#00 FRONT SPRING GRIP - MEDIUM			1									
34	41880-020	4214-300	#000 FRONT SPRING GRIP - SMALL	1											
35	2628		#0 REAR SPRING GRIP - LARGE	1		1									
35	41750	2629	#00 REAR SPRING GRIP - MEDIUM	1											
35	1482		#00 REAR SPRING GRIP - MEDIUM			1									
35	41880-015	4214-290	#000 REAR SPRING GRIP - SMALL	1											

**\* NOTE:**  
USE ARMATURE #63918 & REPLACE  
FIELD WITH PART #63919

★ PARTS ARE INTERCHANGEABLE, USE UP EXISTING STOCK.

MANUAL: PROFESSIONAL PRODUCTS

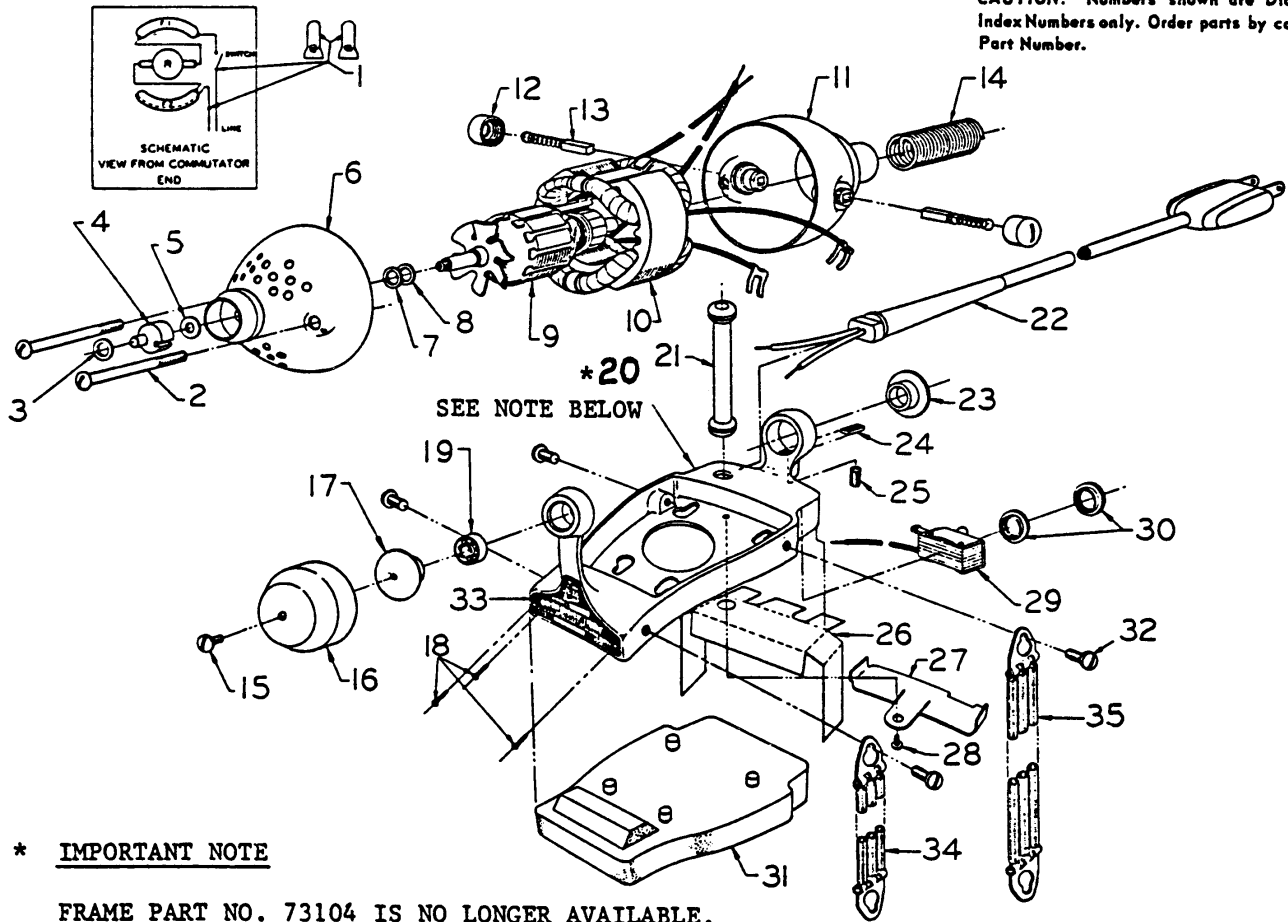
CONTINUED ON REVERSE SIDE

SECTION: MASSAGERS



150 CADILLAC LANE  
McMINNVILLE, TN 37110

**CAUTION:** Numbers shown are Diagram Index Numbers only. Order parts by correct Part Number.



**\* IMPORTANT NOTE**

FRAME PART NO. 73104 IS NO LONGER AVAILABLE.  
 IF REPLACEMENT IS REQUIRED, HAVE CUSTOMER SEND  
 UNIT BACK TO MILWAUKEE FACTORY SERVICE CENTER  
 FOR EXCHANGE OFFER. SEE BULLETIN SSB - 721 LOCATED  
 AFTER MASSAGER INDEX.



# PARTS LIST

MASSAGER

### USE ONLY GENUINE OSTER PARTS - USE OF WRONG PARTS MAY BE HAZARDOUS.

PUBLISHED BY TECHNICAL SERVICES

NEW MODEL(S) ADDED => FIRST ISSUE 2/80, COLUMNS #1

M-5281 REVISED 10/97

PART NO. REVISION

## A-11

BLACK														
120 VOLTS, 30 WATTS, 60 HZ AC ONLY														
<b>MODEL OR SERVICE NO. COLUMN →</b>	<b>1</b>	<b>2</b>	<b>3</b>	<b>4</b>	<b>5</b>	<b>6</b>	<b>7</b>	<b>8</b>	<b>9</b>	<b>10</b>	<b>11</b>	<b>12</b>		
<b>SEE PRICE &amp; CROSS REF. LIST FOR PRICES</b>														
<b>BASIC PARTS</b> 4-11-H														

INDEX NO.	PART NO.	★ WAS PART NO.	DESCRIPTION	QUANTITY	1	2	3	4	5	6	7	8	9	10	11	12
1	66555		WIRE CONNECTOR	2												
2	79		BINDER SCREW	2												
3	59		WASHER - FIBER	1												
4	1645		CAM	1												
6	281		FRONT MOTOR HOUSING & BRG. ASSEMBLY - BLACK	1												
7	7932		WASHER - FIBER	2												
8	1781		WASHER - FIBER	2												
9	68627		ARMATURE ASSEMBLY	1												
10	204507		FIELD ASSEMBLY	1												
11	68687		REAR MOTOR HOUSING - INCLS. BRG. & BRUSH TUBES	1												
12	41662	90	BRUSH KNOB	2												
13	200125		CARBON BRUSH & SPRING ASSEMBLY	1PR												
14	12		CONNECTING SPRING	1												
15	41661	76	SCREW - FOR HAIR GUARD	1												
16	2294		HAIR GUARD - PLASTIC - CHROME PLATED	1												
17	72		BEARING CAP	1												
18	24		DRIVE SCREW	3												
19	55142	211163	BALL BEARING	1												
20	73104		FRAME - NOT AVAILABLE - SEE NOTE ON PAGE 8	1												
21	13		RUBBER TUBE - BLACK	1												
22	204405		CORD & PLUG ASSEMBLY	1												
23	66251		SPRING CAP	1												
24	393		LOCKING KEY - CONNECTING SPRING & CAP	1												
25	18		SET SCREW - FOR CONNECTING SPRING	1												
26	65565		INSULATION BOX	1												
27	65584		GUARD - SWITCH & LEADS	1												
28	68775		SCREW	2												
29	42446	7783	SWITCH - TOGGLE	1												
30	41683	379	KNURLED NUT	2												
31	203696		HAND CUSHION - WITH LUGS	1												
32	5		SCREW	4												
33	67834		NAMEPLATE	1												
34	2624		#0 FRONT SPRING GRIP - LARGE	1												
34	2625		#00 FRONT SPRING GRIP - MEDIUM	1												
34	41880-020	4214-300	#000 FRONT SPRING GRIP - SMALL	1												
35	2628		#0 REAR SPRING GRIP - LARGE	1												
35	2629		#00 REAR SPRING GRIP - MEDIUM	1												
35	41883-015	4214-290	#000 REAR SPRING GRIP - SMALL	1												
36	67835		DATA PLATE	1												
37	55167	206731	DIODE	1												
40	42576	61801	TUBING - PLASTIC - FOR DIODE #37	1												
41	200659		BRUSH LEADWIRE - RED - NOT AVAILABLE	1												
42	64967		BRUSH LEADWIRE - BLACK	1												

★ PARTS ARE INTERCHANGEABLE, USE UP EXISTING STOCK.

MANUAL: PROFESSIONAL PRODUCTS

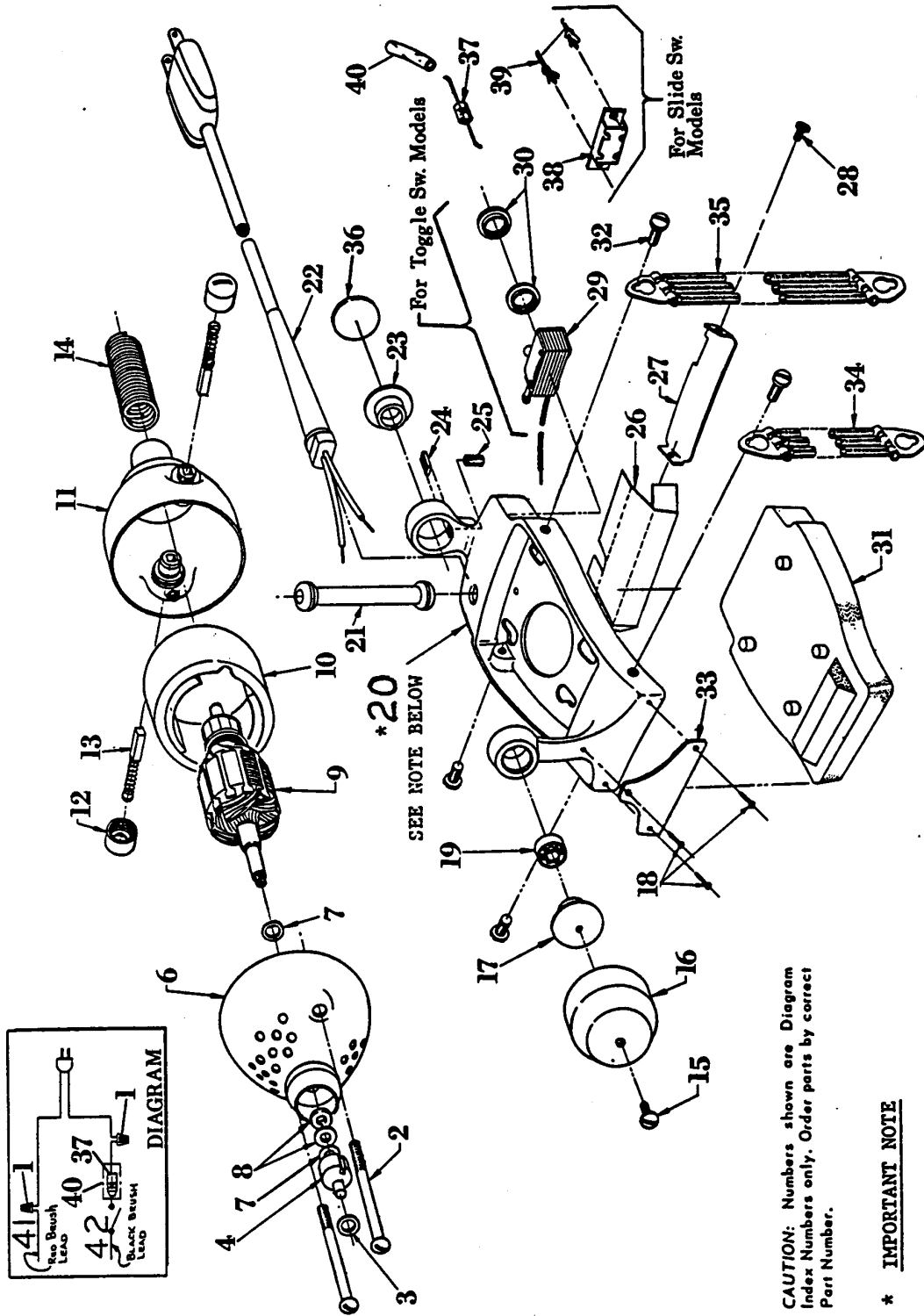
CONTINUED ON REVERSE SIDE

SECTION: MASSAGERS

## PAGE 7



150 CADILLAC LANE  
McMINNVILLE, TN 37110



\*20  
SEE NOTE BELOW

CAUTION: Numbers shown are Diagram Index Numbers only. Order parts by correct Part Number.

\* IMPORTANT NOTE

FRAME PART NO. 73104 IS NO LONGER AVAILABLE. IF REPLACEMENT IS REQUIRED, HAVE CUSTOMER SEND UNIT BACK TO MILWAUKEE FACTORY SERVICE CENTER FOR EXCHANGE OFFER. SEE BULLETIN SSB - 721 LOCATED AFTER MASSAGER INDES.



**PARTS LIST**

MASSAGER



SERVICE NOTES	COL. NO.
M-6059	1 THRU 3

**USE ONLY GENUINE OSTER PARTS -  
USE OF WRONG PARTS MAY BE HAZARDOUS.**

PUBLISHED BY TECHNICAL SERVICES

NEW MODEL(S) ADDED ⇒ FIRST ISSUE 2/68, COLUMN #1, 2  
FIRST ISSUE 11/74, COLUMN #3

BB-339	REVISED 10/97
PART NO. REVISION	

115 VOLTS, 45 WATTS, AC/DC	X	X	X															
MODEL OR SERVICE NO. COLUMN →	1	2	3	4	5	6	7	8	9	10	11	12						

SEE PRICE & CROSS REF.  
LIST FOR PRICES

INDEX NO.	PART NO.	★ WAS PART NO.	DESCRIPTION	BASIC PARTS	167-01-B	4-01-F	4-11-HX	QUANTITY REQUIRED											
1	55136	206488	CLOSED END CONNECTOR	2															
2	79		BINDER SCREW	2															
3	59		WASHER - FIBER	1															
4	1645		CAM	1															
6	281		FRONT MOTOR HOUSING & BEARING ASSY. - BLACK			1	1												
6	75852		FRONT MOTOR HOUSING & BEARING ASSY. - AQUA		1														
7	7932		WASHER - FIBER	2															
8	1781		WASHER 0 FIBER	2															
9	63918		ARMATURE & FAN ASSEMBLY	1															
10	63919		FIELD ASSEMBLY	1															
11	68687		REAR MOTOR HOUSING - INCLUDES BEARING & BRUSH TUBES - BLACK				1												
11	282		REAR MOTOR HOUSING INCLUDES BEARING & BRUSH TUBES - BLACK		1	1													
12	90		BRUSH KNOB	2															
13	1655		BRUSH & SPRING ASSEMBLY				1												
13	200125		BRUSH & SPRING ASSEMBLY		1	1													
14	12		CONNECTING SPRING	1															
15	76		SCREW	1															
16	2294		HAIR GUASRD	1															
17	72		BEARING CAP	1															
18	24		DRIVE SCREW	3															
19	740		BALL BEARING	1															
20	73104		FRAME	1															
21	13		BUBBER TUBE - BLACK			1													
21	203484		RUBBER TUBE - BROWN				1												
21	75855		RUBBER TUBE - WHITE		1														
22	76714		CORD & PLUS ASSEMBLY		1														
22	204405		CORD & PLUG ASSEMBLY			1	1												
23	21		SPRING CAP		1	1													
23	66251		SPRING CAP				1												
24	393		LOCKING KEY - FOR CONNECTING SPRING & CAP	1															
25	18		SET SCREW - FOR CONNECTING SPRING	1															
26	65565		INSULATION BOX	1															
27	65584		GUARD - SWITCH & LEADS	1															
28	66296		SCREW - #4-48 X 3/16	2															
29	7783		SWITCH	1															
30	379		KNURLED NUT	2															
31	203696		HAND CUSHION - WITH LUGS	1															
32	4685-000		SCREW - #8-32 X 3/8	4															
33	73140		NAMEPLATE - STIM-U-LAX			1													
33	67834		NAMEPLATE				1												
33	75856		NAMEPLATE - CHARMAIRE		1														
34	2624		#0 FRONT SPRING GRIP - LARGE	1															
34	2625		#00 FRONT SPRING GRIP - MEDIUM	1															
34	2626		#000 FRONT SPRING GRIP - SMALL	1															
35	2628		#0 REAR SPRING GRIP - LARGE	1															
35	2629		#00 REAR SPRING GRIP - MEDIUM	1															
35	2630		#000 REAR SPRING GRIP - SMALL	1															
36	206683		DATA PLATE				1												

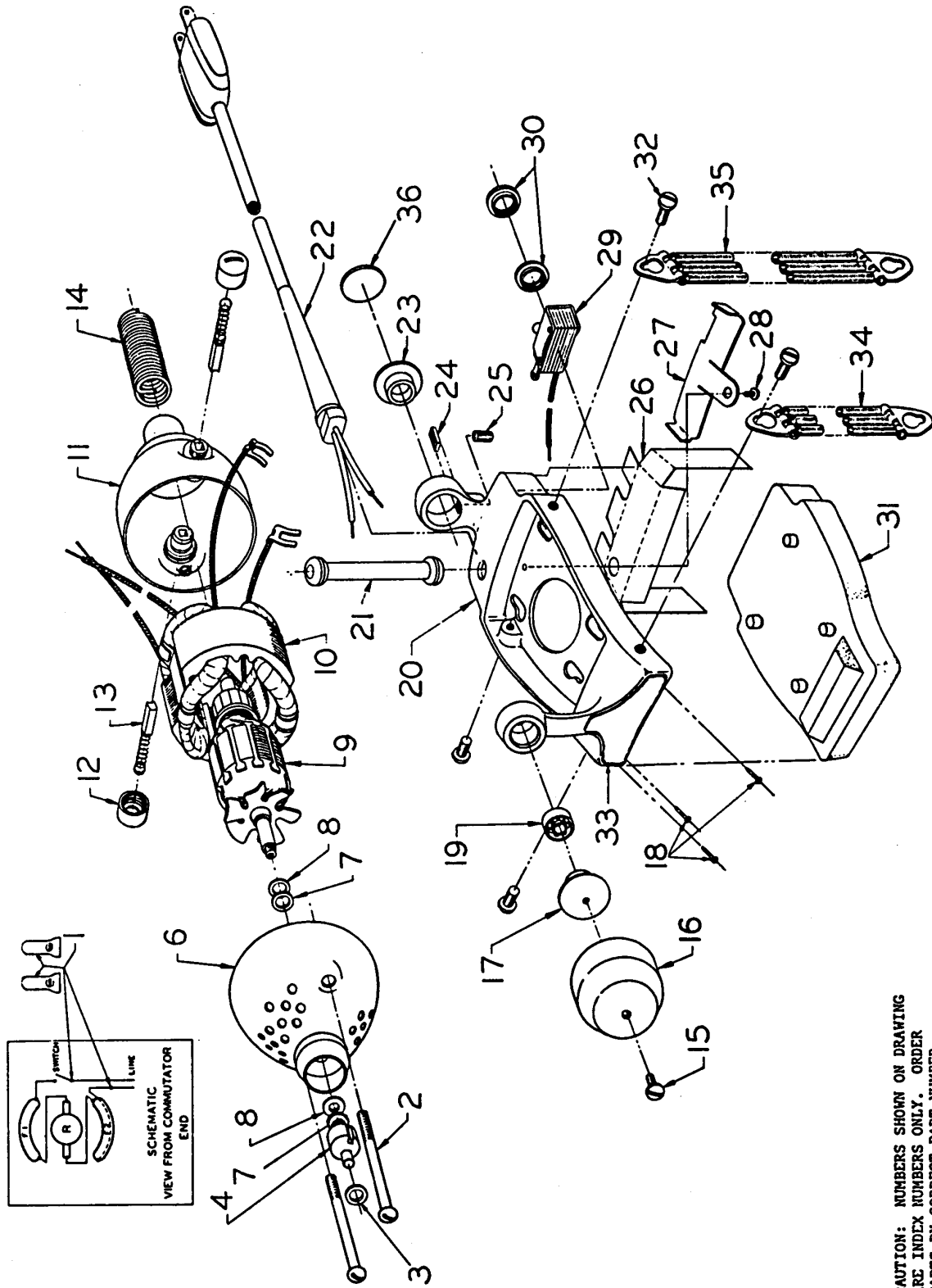
★ PARTS ARE INTERCHANGEABLE, USE UP EXISTING STOCK.

MANUAL: PROFESSIONAL PRODUCTS  
SECTION: MASSAGERS

CONTINUED ON REVERSE SIDE







CAUTION: NUMBERS SHOWN ON DRAWING ARE INDEX NUMBERS ONLY. ORDER PARTS BY CORRECT PART NUMBER.



**PARTS LIST**

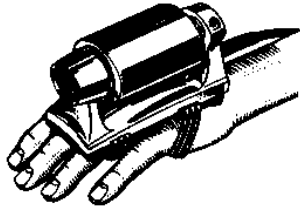
**MASSAGER**

**USE ONLY GENUINE OSTER PARTS -  
USE OF WRONG PARTS MAY BE HAZARDOUS.**

PUBLISHED BY TECHNICAL SERVICES

BB-269 REVISED 10/97

PART NO. REVISION



NEW MODEL(S) ADDED → FIRST ISSUE 12/88 COLUMN #1

MODEL OR SERVICE NO. COLUMN →	1	2	3	4	5	6	7	8	9	10	11	12
WIRING DIAGRAM - SEE VIEW	1	1	1	1								
120 VOLTS, 30 WATTS, 25/60 CYCLES	X	X	X	X								
ON-OFF TOGGLE SWITCH	X	X	X	X								
100 % BALL BEARING - PROFESSIONAL		X		X								
STIM-U-LAX PROFESSIONAL	X		X									

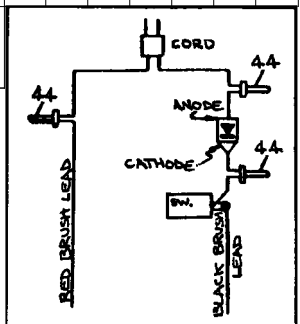
SERVICE NOTES	COL. NO.
M-6002	1 THRU 4

**SEE PRICE & CROSS REF. LIST FOR PRICES**

INDEX NO.	PART NO.	* WAS PART NO.	DESCRIPTION	BASIC PARTS	14-01-A	103-01-A	14-01-ARW	103-01-ARW	5	6	7	8	9	10	11	12
1	41857	4047-000	WASHER	2												
2	42104	4664-000	SCREW - #6-32 X 3/8	4												
3	42168	5512-000	CAM		1		1									
3	46701	201281	CAM			1		1								
4	46699	201277	HOUSING - CHROME PLATED	1												
5	42108	4681-010	SCREW -#8-32 X 1 3/8	2												
6	42159	5332-001	BRACKET - FRONT		1		1									
6	201279		BRACKET - FRONT			1		1								
7	41663	95	WASHER - FELT		2		2									
8	41698	1647	BEARING - BRONZE SINTERED		2		2									
9	46695	201173	RETAINER - BEARING		2		2									
10	42114	4765-000	SCREW - #6-32 X 1/4		2		2									
11	46683	201115	ARMATURE		1		1									
11	46706	201342	ARMATURE			1		1								
12	46762	203244	FIELD	1												
13	42114-010	4765-040	SCREW - #6-32 X 5/8	2												
14 *	202520-001	202520	BRUSH & SPRING ASSEMBLY		1PR	1PR										
14	58435	221048	BRUSH & SPRING ASSEMBLY				1PR	1PR								
15	* 46705	201285	BRUSH TUBE ASSEMBLY W/ RED LEADWIRE		1	1										
15	42432	5992-001	BRUSH TUBE ASSEMBLY W/ RED LEADWIRE				1	1								
15	* 201485		BRUSH TUBE ASSEMBLY W/ BLACK LEADWIRE		1	1										
15	42432-005	5992-002	BRUSH TUBE ASSEMBLY W/ BLACK LEADWIRE				1	1								
17	42159	5332-001	BRACKET - REAR		1		1									
17	201278		BRACKET - REAR			1		1								
18	201155		COVER - END - CHROME PLATED	1												
19	201167		SPRING CONNECTING	1												
20	55330	209557	HAIR GUARD - PLASTIC - CHROME PLATED - LESS NAMEPLATE #21	1												
21	201386		NAMEPLATE		1		1									
21	46726	201938	NAMEPLATE			1		1								
22	201163	740	BALL BEARING		1	2	1	2								
23	4220-030		FRAME ASSEMBLY - INCLUDING BEARING #22, #53	1												
24	202234		PAD ASSEMBLY - INCLUDES PLATE	1												
25	46731	201161	PAD ONLY - NEOPRENE SPONGE TUBBER	1												
26	42114-005	4765-030	SCREW - #6-32 X 7/16	2												
27	41880-015	4214-290	SPRING GRIP - FRONT - SMALL	1												
28	41880-035	4214-400	SPRING GRIP - REAR - MEDIUM	1												
32	55167	206731	DIODE	1												
33	42446	7783	SWITCH - TOGGLE - ON-OFF	1												
34	55911	216313	INSULATOR	1												
36	58526	5358-004	CORD & PLUG ASSEMBLY - BLACK	1												
40	201153		TUBE - INSULATOR - PLASTIC	1												
41	201176		DATA PLATE		1		1									
41	201308		DATA PLATE} ♦ ADD "RW" IF REQ'D													
42	201180		GUARD FOR LEADWIRES	1												
43	201163		CAP - LESS DATA PLATE #41	1												
44	55136	206488	CONNECTOR - CLOSED END	3												
45	42113	4745-000	SCREW - #4-24 X 1/2	2												
49	41857-005	4047-020	WASHER			1		1								
50	46704	201284	BRUSH CAP - BLACK - PLASTIC	2												
51	41683	379	NUT	2												
52	55411	211162	BALL BEARING - SELF ALIGNING			1		1								
53	-----		NAMEPLATE - ON/OFF - NOT AVAILABLE	1												

**QUANTITY REQUIRED**

\* IF EITHER 46705 BRUSH TUBE W/RED LEAD, OR  
 201485 BRUSH TUBE W/BLACK LEAD, OR  
 202520-001 BRUSH & SPRING ASSEMBLY (1PAIR)  
 ARE NO LONGER AVAILABLE, REPLACE ALL OF THESE  
 PARTS WITH THE FOLLOWING PARTS:  
 42432 BRUSH TUBE W/RED LEAD,  
 42432-005 BRUSH TUBE W/BLACK LEAD,  
 AND 58435 BRUSH & SPRING ASSEMBLY (1 PAIR)  
 SCRIBE IN AN "RW" AFTER MODEL NUMBER ON DATA PLATE  
 (ITEM 41). EXAMPLE: 14-01-ARW, 103-01-ARW  
**THIS IS VERY IMPORTANT FOR NEXT TIME SERVICE ON UNIT.**



★ PARTS ARE INTERCHANGEABLE, USE UP EXISTING STOCK.

MANUAL: PROFESSIONAL PRODUCTS

CONTINUED ON REVERSE SIDE

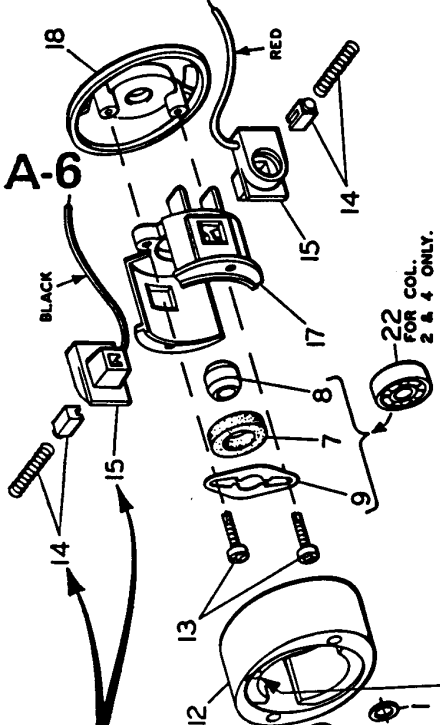
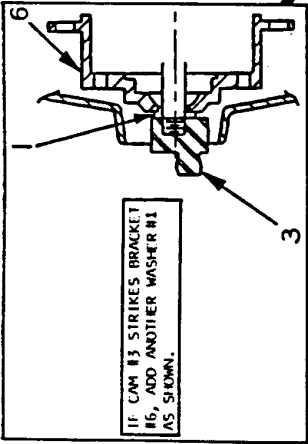
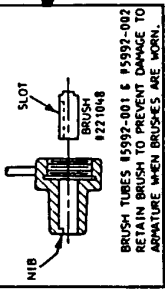
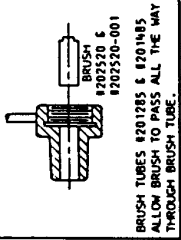
SECTION: MASSAGERS

**PAGE 1**



150 CADILLAC LANE  
McMINNVILLE, TN 37110

**BRUSH AND BRUSH TUBE COMPARTISON**  
 MODELS IN COL. #1 & #2



**WHITE SPOT INDICATOR**  
 FIELD ASY. (12) MUST BE ASSEMBLED WITH WHITE SPOT AT TOP OF UNIT AND FACING FRONT OF UNIT AS SHOWN.

EXAMPLE:  

28	29	30
----	----	----

THE COMPONENT PARTS (SMALL INDEX NO.'S) ARE INCLUDED WHEN ORDERING THE ASSEMBLY PART (LARGE INDEX NO.)

NOTE: NUMBERS SHOWN ON DRAWING ARE INDEX NUMBERS ONLY. ORDER PARTS BY CORRECT PART NUMBER.

FOR COL. 2 & 4 ONLY.

FOR COL. 2 & 4 ONLY.

FOR COL. 2 & 4 ONLY.

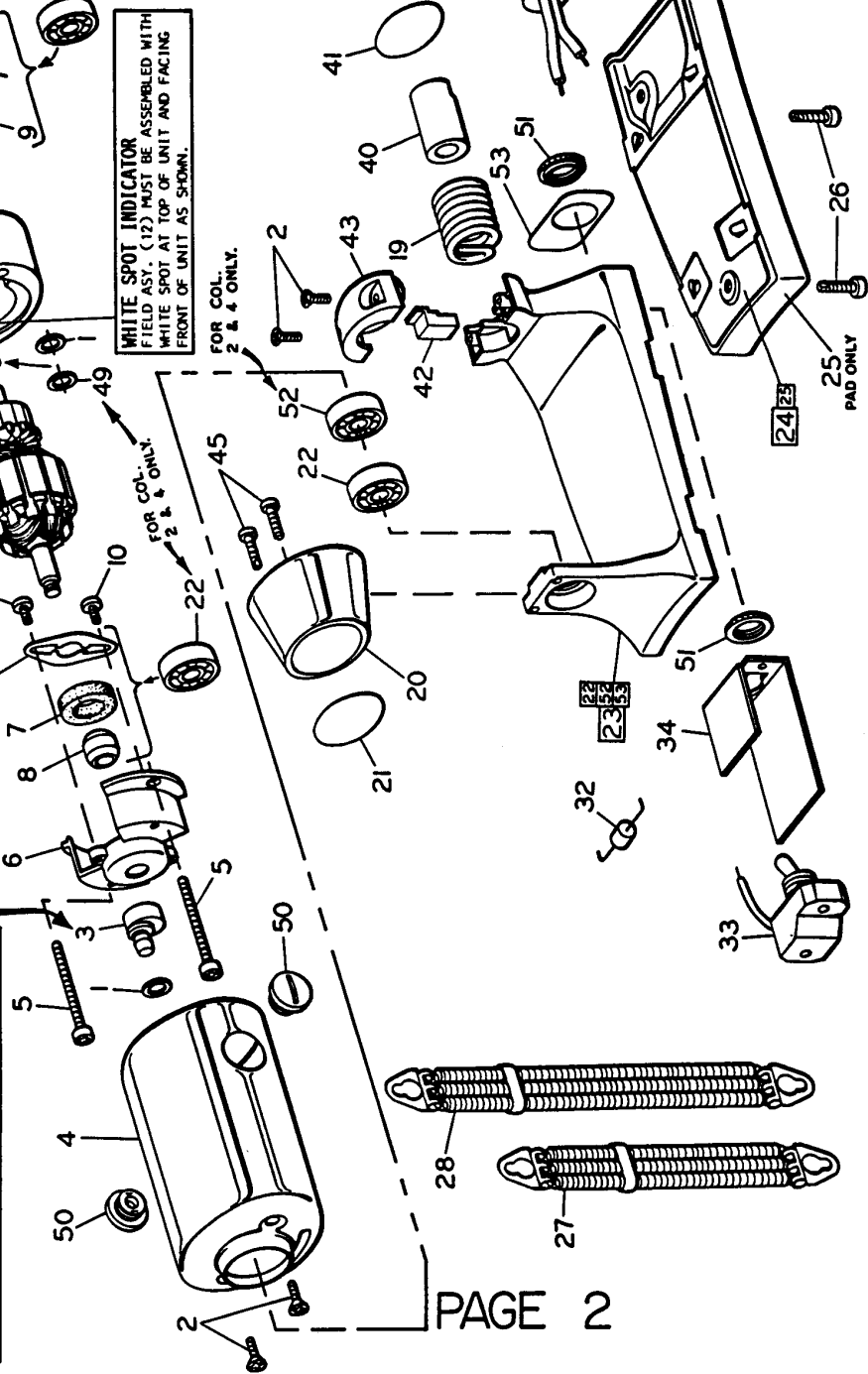
FOR COL. 2 & 4 ONLY.

FOR COL. 2 & 4 ONLY.

FOR COL. 2 & 4 ONLY.

FOR COL. 2 & 4 ONLY.

FOR COL. 2 & 4 ONLY.





# PARTS LIST

MASSAGER

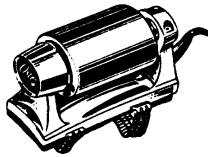
**USE ONLY GENUINE OSTER PARTS -  
USE OF WRONG PARTS MAY BE HAZARDOUS.**

PUBLISHED BY TECHNICAL SERVICES

BB-405 REVISED 10/97

PART NO. REVISION

NEW MODEL(S) ADDED ⇨ FIRST ISSUE 3/88, COLUMN #2



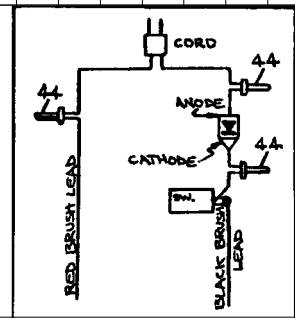
100% BALL BEARING	X	X																	
UL/CSA LISTED	X	X																	
120 VOLTS, 25 WATTS, 25/60 HZ, A.C.	X	X																	
MODEL OR SERVICE NO. COLUMN	1	2	3	4	5	6	7	8	9	10	11	12							

SERVICE NOTES	COL. NO.
M-6002	1, 2

**NOTE: PART PRICES APPEAR  
IN PRICE BOOK**

INDEX NO.	PART NO.	★ WAS PART NO.	DESCRIPTION	BASIC PARTS	QUANTITY REQUIRED															
					1	2	3	4	5	6	7	8	9	10	11	12				
1	41857	4047-000	WASHER	2																
2	42104	4664-000	SCREW - #6-32 X 3/8	4																
3	46701	201281	CAM	1																
4	46699	201277	HOUSING - CHROME PLATED	1																
5	42108	4681-010	SCREW - #8-32 X 1 3/8	2																
6	42160-005	5334-002	BRACKET - FRONT	1																
11	46706	201342	ARMATURE ASSEMBLY	1																
12	46762	203244	FIELD ASSEMBLY	1																
14	202520-001	202520	BRUSH & SPRING ASSEMBLY	1PR																
14	58435	221048	BRUSH & SPRING ASSEMBLY	1PR																
15	46705	201285	BRUSH TUBE ASEMBLY W/RED LEADWIRE	1																
15	42432	5992-001	BRUSH TUBE ASSEMBLY W/RED L;EADWIRE	1																
15	201485		BRUSH TUBE ASSEMBLY W/BLACK LEADWIRE	1																
15	42432-005	5992-002	BRUSH TUBE ASSEMBLY W/ BALCK LEADWIRE	1																
17	42159-005	5332-002	BRACKET - REAR	1																
18	201155		COVER - END - CHROME	1																
19	201167		SPRING - CONNECTING	1																
20	55330	209557	HAIR GUARD - PLASTIC - CHROME PLATED - LESS NAMEPLATE INDEX #21	1																
21	46726	201938	NAMEPLATE	1																
22	55412	211163	BEARING ROLLER	2																
23	4220-030	4220-040	FRAME ASSEMBLY - INCLUDES INDEX #52 & # 53	1																
24	202234		PAD ASSEMBLY - INCLUDES PLATE	1																
25	46731	201161	PAD ONLY - NEOPRENE SPONGE RUBBER	1																
26	4765-182	4765-050	SCREW - #6-32 X 5/16	2																
27	41880-015	4214-290	SPRING GRIP - FRONT 0 SMALL	1																
28	41880-035	4214-400	SPRING GRIP - REAR - MEDIUM	1																
32	55167	206731	DIODE	1																
33	42446	7783	SWITCH - TOGGLE	1																
34	55911	216313	INSULATOR - RAG PAPER	1																
36	202529		CORD & PLUG ASSEMBLY - BLACK - 3 WIRE	1																
40	201153		TUBE - INSULATOR	1																
41	207177		NAMEPLATE - DATA - ADD "RW" IF REQUIRED	1																
42	201180		GUARD - FOR LEADWIRES	1																
43	201163		CAP - LESS DATA PLATE #41	1																
44	55136	206488	CONNECTOR - CLOSED END	2																
45	42113	4745-000	SCREW - #4-24 X 1/2	2																
49	41857-005	4047-020	WASHER	1																
50	46704	201284	BRUSH CAP - BLACK - PLASTIC	2																
51	41683	379	NUT	1																
52	55411	211162	BEARING - ROLLER	1																
53	-----		NAMEPLATE - ON/OFF - NOT AVAILABLE	1																
54	42115	4765-000	SCREW - GROUND - #6-32 X 1/4	1																

IF EITHER 46705 BRUSH TUBE W/RED LEAD, OR  
201485 BRUSH TUBE W/BLACK LEAD, OR  
202520-001 BRUSH & SPRING ASSEMBLY (1PAIR)  
ARE NO LONGER AVAILABLE, REPLACE ALL OF THESE  
PARTS WITH THE FOLLOWING PARTS:  
42432 BRUSH TUBE W/RED LEAD,  
42432-005 BRUSH TUBE W/BLACK LEAD,  
AND 58435 BRUSH & SPRING ASSEMBLY (1 PAIR)  
SCRIBE IN AN "RW" AFTER MODEL NUMBER ON DATA PLATE  
(ITEM 41). EXAMPLE: 14-01-ARW, 103-01-ARW  
**THIS IS VERY IMPORTANT FOR NEXT TIME SERVICE ON UNIT.**

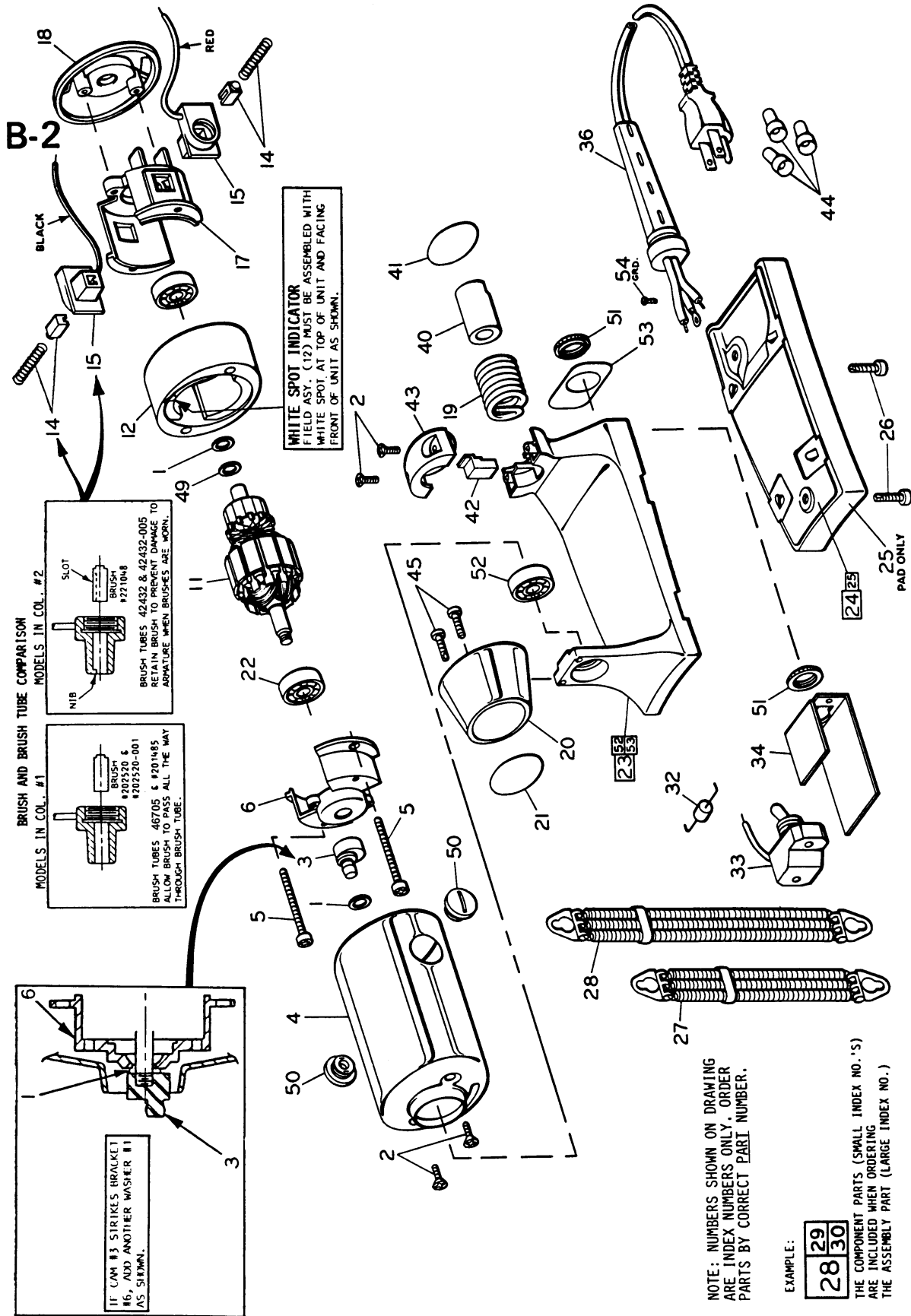


★ PARTS ARE INTERCHANGEABLE, USE UP EXISTING STOCK.

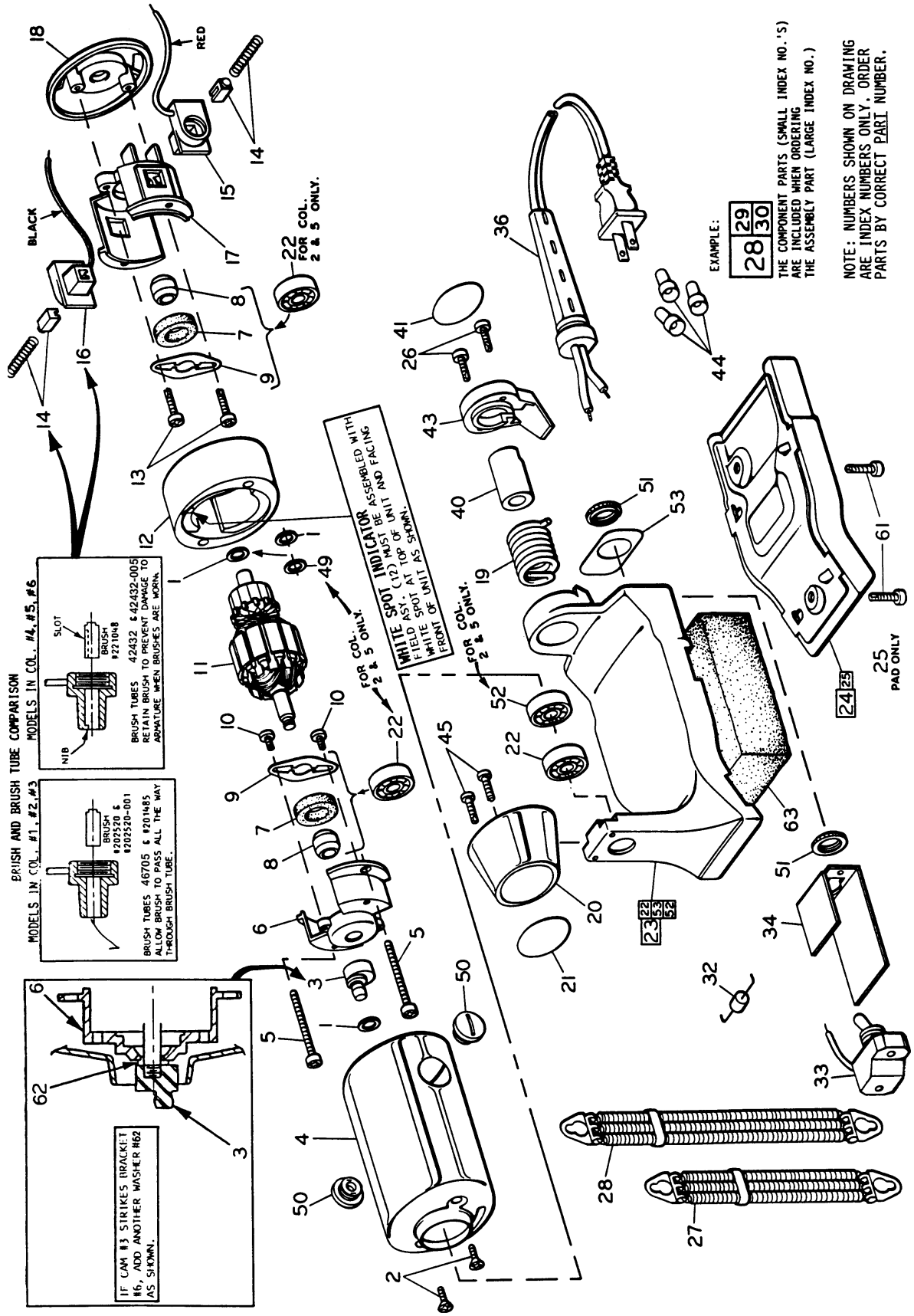
MANUAL: PROFESSIONAL PRODUCTS  
SECTION: MASSAGERS

CONTINUED ON REVERSE SIDE  
PAGE 12

Oster Professional Products  
150 CADILLAC LANE  
McMINNVILLE, TN 37110









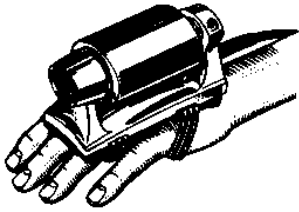
## PARTS LIST

MASSAGER

**USE ONLY GENUINE OSTER PARTS -  
USE OF WRONG PARTS MAY BE HAZARDOUS.**

PUBLISHED BY TECHNICAL SERVICES

M-8047	REVISED 10/97
PART NO. REVISION	



SERVICE NOTES	COL. NO.
75010-001	1

NEW MODEL(S) ADDED → FIRST ISSUE 8/88 COLUMN #1

120 VOLTS, 30 WATTS, 25-60 HZ. AC ONLY	X														
MODEL OR SERVICE NO. COLUMN →	1	2	3	4	5	6	7	8	9	10	11	12			

SERVICE NOTES	COL. NO.
M-6002	1

SEE PRICE & CROSS REF.  
LIST FOR PRICES

INDEX NO.	PART NO.	★ WAS PART NO.	DESCRIPTION
1	41857	4047-000	WASHER
2	42104	4664-000	SCREW - #6-32 X 3/8"
3	46701	201281	CAM
4	46699	201277	HOUSING - CHROME PLATED
5	42108	4681-010	SCREW - #8-32 X 1 3/8"
6	42160-005	5334-001	BRACKET - FRONT
10	42114	4765-000	SCREW - #6-32 X 1/4"
11	58345	220584	ARMATURE
12	46762	203244	FIELD
13	42114-010	4765-040	SCREW - #6-32 X 5/8"
14	58435	221048	BRUSH & SPRING ASSY.
15	42432	5992-001	BRUSH TUBE ASSY. - W/RED LEADWIRE
16	42432-005	5992-002	BRUSH TUBE ASSY. - W/BLACK LEADWIRE
17	42159-005	5332-001	BRACKET - REAR
18	55331	209559	COVER - END - CHROME
19	55373	210065	SPRING - CONNECTING
20	55330	209557	HAIR GUARD - CHROME - ADD #21
21	46726	201938	NAMEPLATE
22	55412	211163	BALL BEARING
23	41881-015	4220-110	FRAME ASSY. - INCLS. #22, #52
24	55302	209455	PAD ASSY. - W/PLATE
25	55327	209537	PAD ONLY - NEOPRENE
26	42114-005	4765-030	SCREW - #6-32 X 7/16"
27	41880-015	4214-290	SPRING GRIP - FRONT
28	41880-035	4214-400	SPRING GRIP - REAR
32	58438-005	221054	BRIDGE
33	58352	220631	SWITCH - TOGGLE
34	58344	220583	INSULATOR
36	58526	221732	CORD & PLUG ASSY.
40	55374	210080	INSULATOR - TUBE
41	42144-050	5224-015	DATA PLATE
43	42146-005	5226-001	CAP - SPRING - ADD #41
44	55136	206488	CONNECTOR
45	42113	4745-000	SCREW - #4-24 X 1/2"
49	41857-005	4047-020	WASHER
50	46704	201284	CAP - BRUSH
51	41683	379	NUT
52	55411	211162	BALL BEARING
53	42152-005	5254-001	NAMEPLATE - ON/OFF
61	42619	63165	SCREW - #6-20 X 9/16"
62	42576-005	61801-001	INSULATION - TUBE
63	42680	67618	PAD

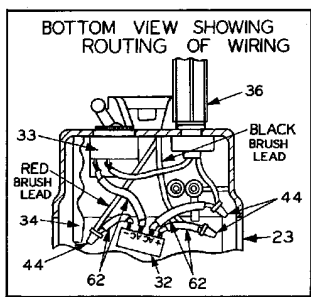
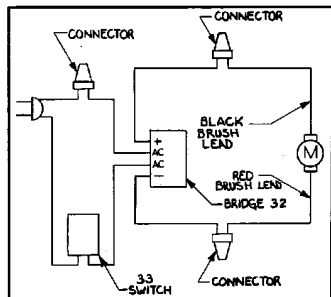
BASIC PARTS ↓

103-10-E

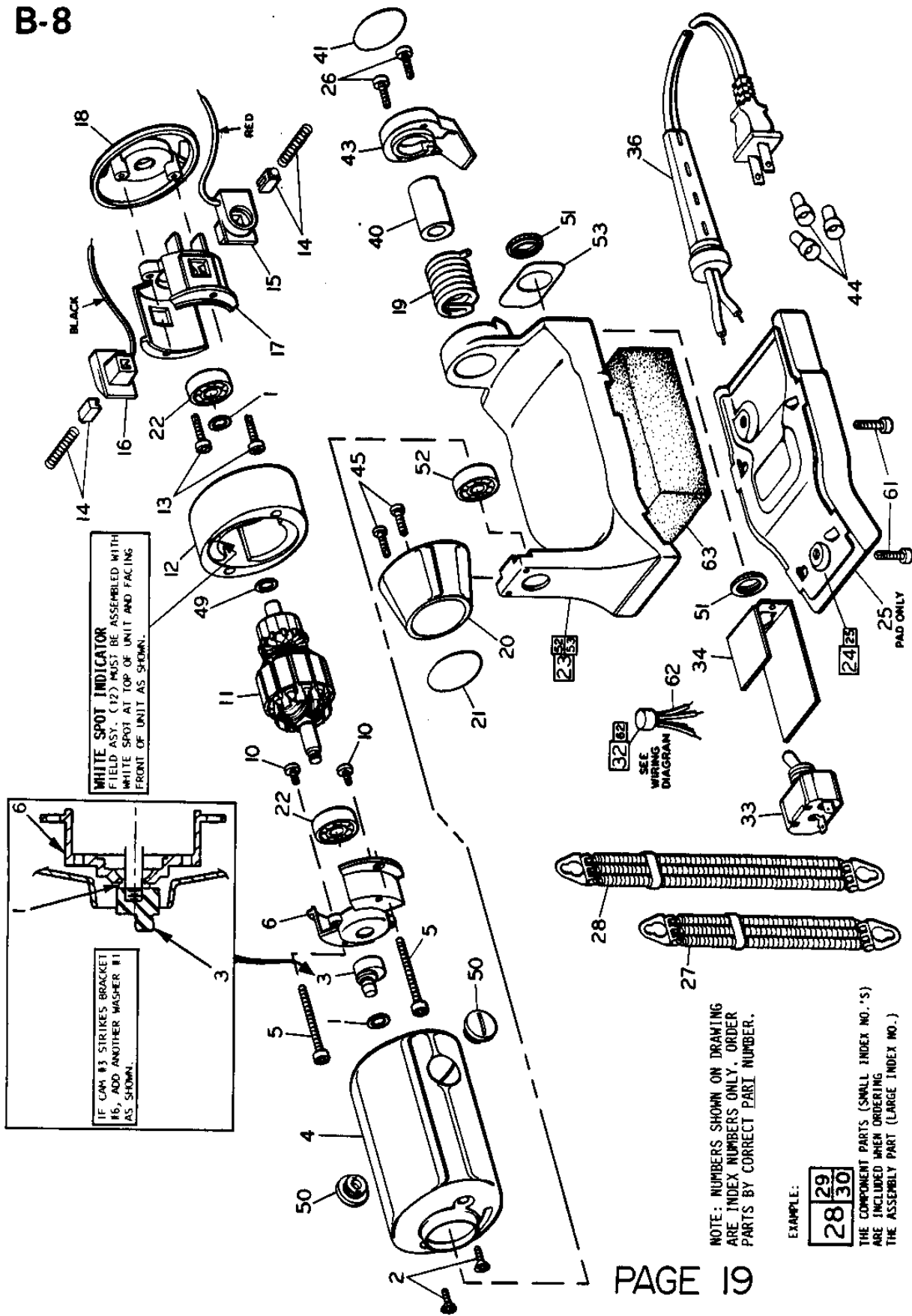
QUANTITY REQUIRED

2															
2															
1															
1															
2															
1															
2															
1															
1															
1															
1															
1															
1															
1															
1															
1															
2															
2															
1															
1															
3															
2															
1															
2															
2															
1															
1															
2															
4															
1															

\* TUBE INSULATION (62)  
MUST BE CUT TO 11/16" LONG.







NOTE: NUMBERS SHOWN ON DRAWING  
ARE INDEX NUMBERS ONLY. ORDER  
PARTS BY CORRECT PART NUMBER.

EXAMPLE:  

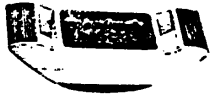
28	29	30
----	----	----

THE COMPONENT PARTS (SMALL INDEX NO.'S)  
ARE INCLUDED WHEN ORDERING  
THE ASSEMBLY PART (LARGE INDEX NO.)



# PARTS LIST

HEAVY DUTY MASSAGER



**USE ONLY GENUINE OSTER PARTS -  
USE OF WRONG PARTS MAY BE HAZARDOUS.**

PUBLISHED BY TECHNICAL SERVICES

BB-397 REVISED 10/97

PART NO. REVISION

NEW MODEL(S) ADDED → FIRST ISSUE 2/77, COLUMN #1

INSTRUCTIONS	COL. NO.
206891	1

SERVICE NOTES	COL. NO.
M-6095	1

**NOTE: PART PRICES APPEAR  
IN PRICE BOOK**

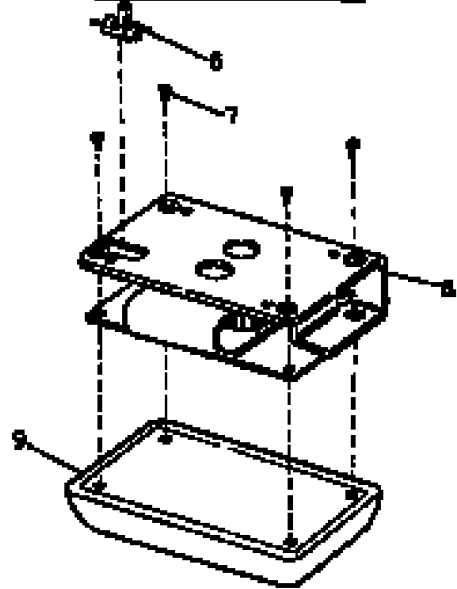
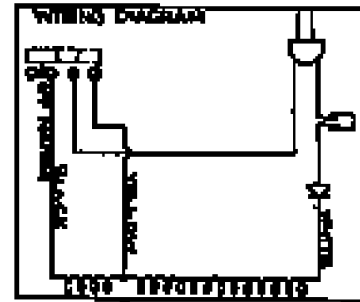
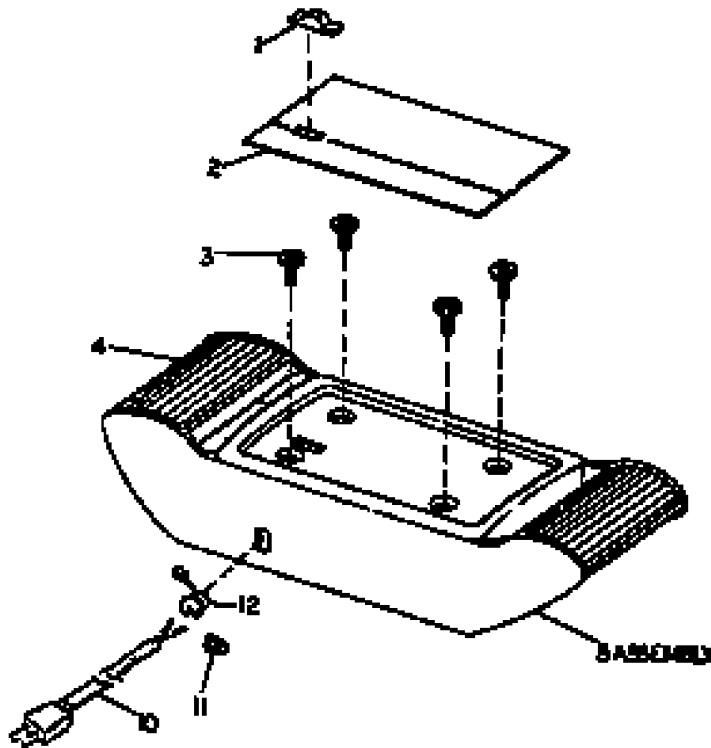
INDEX NO.	PART NO.	★ WAS PART NO.	DESCRIPTION
1	4955-001		KNOB - SLIDE SWITCH
2	206842		NAMEPLATE
3	4695-001		SCREW - #1/4-20 X 3/8
4	4993-001		GRIP - HANDLE - BLACK
5	208244		HOUSING ASSEMBLY - GRAY - INCLS. INDEX #3
6	208243		SWITCH & BRACKET ASSEMBLY
7	66179		SCREW - #6-20 X 3/8
8	206246		MOTOR ASSEMBLY
9	4954-001		PAD ASSEMBLY - BLACK
10	4581-004		CORD & PLUG ASSEMBLY
11	60346		WIRE CONNECTOR
12	205227		STRAIN RELIEF

MODEL OR SERVICE NO. COLUMN	1	2	3	4	5	6	7	8	9	10	11	12
GRAY/BLACK	X											
120 VOLTS, 22 WATTS, 60 HZ, A.C. ONLY	X											
297-01-A												

↓ BASIC PARTS

QUANTITY REQUIRED

INDEX NO.	1	2	3	4	5	6	7	8	9	10	11	12
1	1											
2	1											
3	4											
4	2											
5	1											
6	1											
7	4											
8	1											
9	1											
10	1											
11	1											
12	1											



★ PARTS ARE INTERCHANGEABLE, USE UP EXISTING STOCK.

MANUAL: PROFESSIONAL PRODUCTS  
SECTION: MASSAGERS

CONTINUED ON REVERSE SIDE



150 CADILLAC LANE  
McMINNVILLE, TN 37110